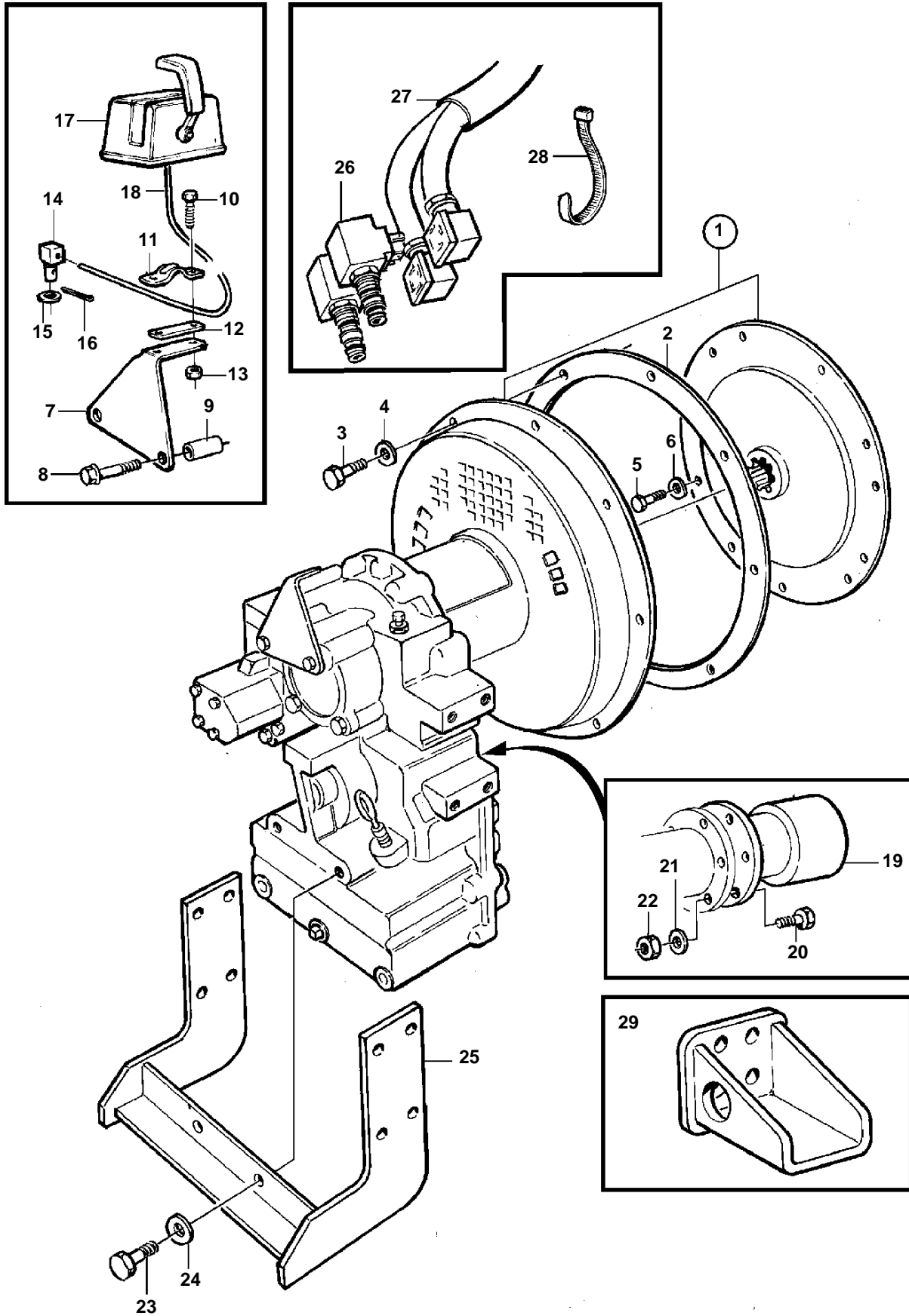


TAMD73P-A



TAMD73P-A

REF	PART NO.	QTY	DESCRIPTION	NOTES
1		1	Reversing gear Comps. not spec.	RATIO -2.0:1
2	862623	1	Gasket	
3	955535	12	Screw	L=32mm
	956582	12	Screw	L=19mm, ALT
4	942336	12	Spring washer	
5	956582	8	Screw	
6	942336	8	Spring washer	
7	864242	1	Bracket	
8	955570	2	Screw	
9	830672	2	Spacer sleeve	
10	956079	2	Screw	
11	819067	1	Brace	For control cable 333, 33c.
	6853782	1	Clamp	For control cable 443, 43c.
12	819068	1	Washer	
13	963104	2	Nut	
14	853217	1	Cube	
15	940191	1	Washer	
16	17253	1	Cotter pin	
17		X	Control	SEE GROUP 27
18		X	Control cable	SEE GROUP 27
19	842106	1	Clutch flange	
20	955739	6	Screw	
21	941912	6	Spring washer	
22	950378	6	Nut	
23	955589	2	Screw	
24	941912	2	Spring washer	
25		1	Bracket	SEE GROUP 21
26	3825653	1	Actuator solenoid	12V
	3825654	1	Control magnet kit	24V
27	873827	1	Cable kit	
28	948211	2	Strip clamp	
29		2	Engine suspension	SEE GROUP 21