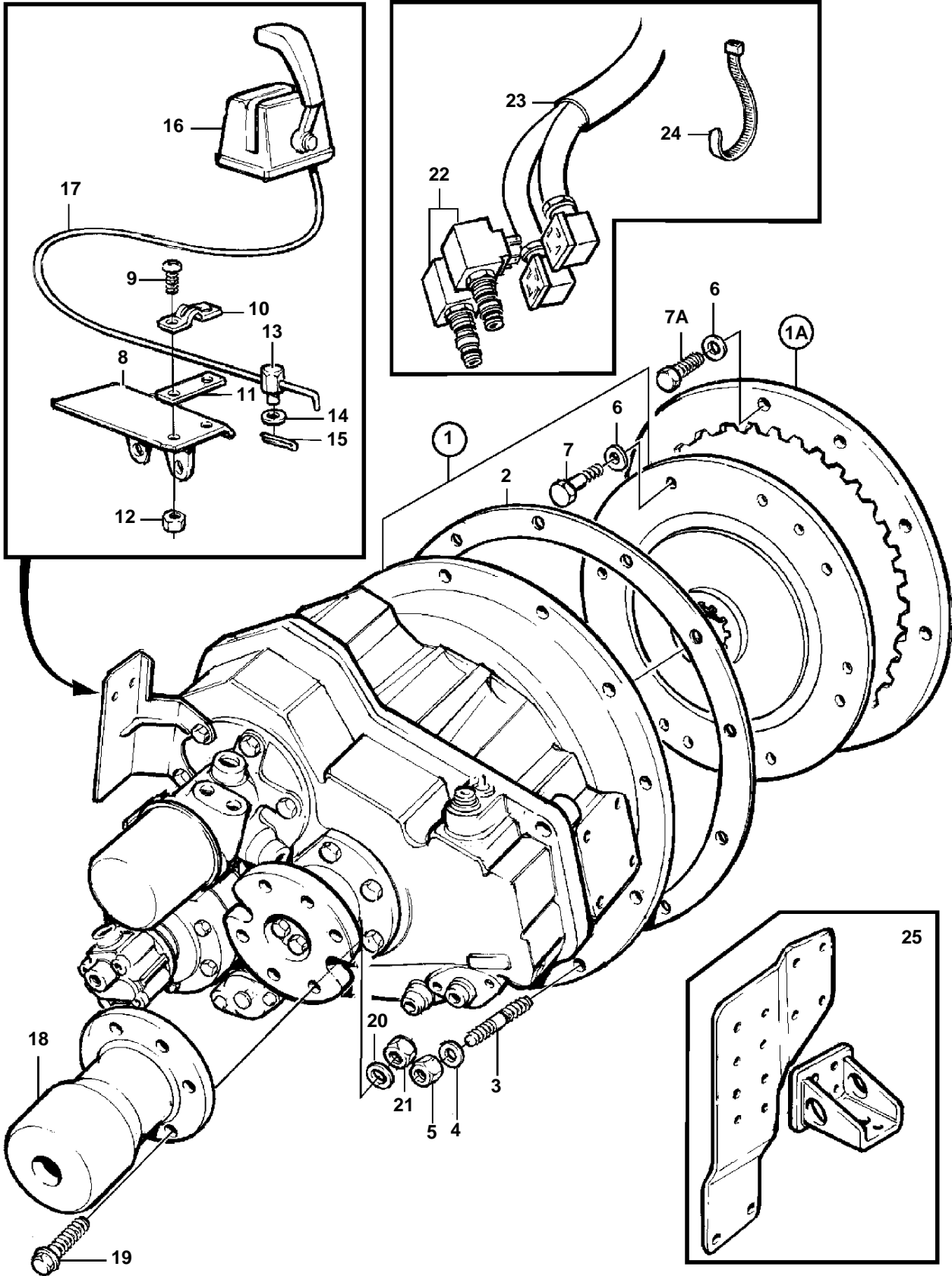


TAMD71B, TAMD73P-A



TAMD71B, TAMD73P-A

REF	PART NO.	QTY	DESCRIPTION	NOTES
1		1	Reversing gear Comps. not spec.	RATIO 1.51:1,2.00:1
1A		1	• Drive ring • Comps. not spec.	EARLY TYPE
2	862623	1	Gasket	
3	953486	12	Stud	
4	942336	12	Spring washer	
5	955827	12	Nut	
6	942336	8	Spring washer	
7	956582	8	Screw	
7A	956588	8	Screw	
8		1	Bracket	
9	956079	2	Screw	
10	819067	1	Brace	For control cable 333, 33c.
	6853782	1	Clamp	For control cable 443, 43c.
11	819068	1	Washer	
12	963104	2	Nut	
13	853217	1	Cube	
14	940191	1	Washer	
15	17253	1	Cotter pin	
16		1	Control	SEE GROUP 27
17		1	Control cable	SEE GROUP 27
18	842106	1	Clutch flange	
19	955739	6	Screw	
20	941912	6	Spring washer	
21	950378	6	Nut	
22	3827257	2	Solenoid	12V
	3826414	2	Solenoid	24V
23	873827	1	Cable kit	
24	948211	2	Strip clamp	
25		2	Engine suspension	SEE GROUP 21