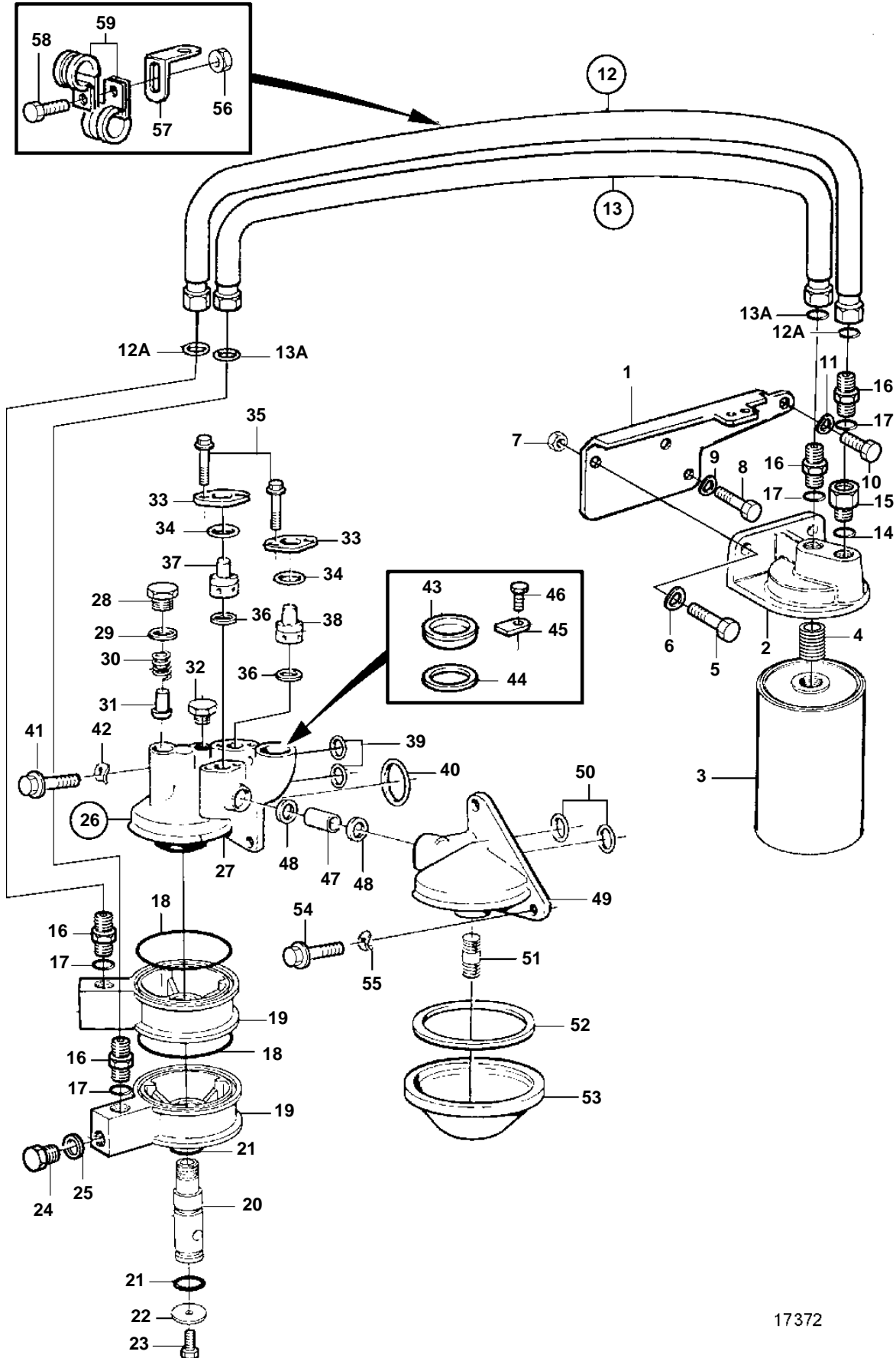


TAMD71B



17372

TAMD71B

REF	PART NO.	QTY	DESCRIPTION	NOTES
1	3825375	1	Bracket	(848510)
2	848509	1	Housing	
3	847741	1	Oil filter	
4	466623	1	Nipple	
5	970947	2	Screw	
6	976945	2	Washer	
7	971071	2	Nut	
8	946440	2	Flange screw	
9	941907	2	Spring washer	
10	970944	1	Screw	
11	862692	1	Washer	
12	863341	1	Hose	L=775mm
12A	4880663	2	· O-ring	
13	863346	1	Hose	L=680mm
13A	4880663	2	· O-ring	
14	948885	1	Gasket	
15	863345	1	Nipple	
16	947554	4	Nipple	
17	948885	4	Gasket	
18	949647	2	O-ring	
19	848502	2	Cover	
20	848504	1	Tube	
21	949658	2	O-ring	
22	862692	1	Washer	
23	970947	1	Screw	L=20mm
24	960632	2	Plug	
25	948884	2	Washer	
26	864611	1	Oil filter housing	
27		1	· Housing	
28	471598	1	· Plug	
29	947627	1	· Gasket	
30	466653	1	· Spring	
31	471085	1	· Valve	
32	479979	1	· Plug	
33	471648	2	· Cover	
34	949659	2	· O-ring	
35	946544	4	· Flange screw	
36	469846	2	· Sealing ring	
37	471646	1	· Reducing valve	WHITE
38	471707	1	· Reducing valve	YELLOW
39	949656	2	O-ring	
40	949722	1	O-ring	
41	946329	2	Flange screw	L=25mm
	965222	1	Screw	L=65mm
42	941908	3	Spring washer	
43	848319	1	Plug	
44	421629	1	Sealing ring	
45	848318	1	Anchorage	
46	946440	1	Flange screw	
47	471602	1	Tube	
48	471956	2	Sealing ring	
49	471601	1	Housing	
50	949656	2	O-ring	
51	469904	1	Nipple	
52	948981	1	O-ring	
53	848431	1	Cover	
54	946329	3	Flange screw	
55	941908	3	Spring washer	
56	945407	1	Flange nut	
57	965552	1	Bracket	
58	947542	1	Screw	
59	952634		Clamp	