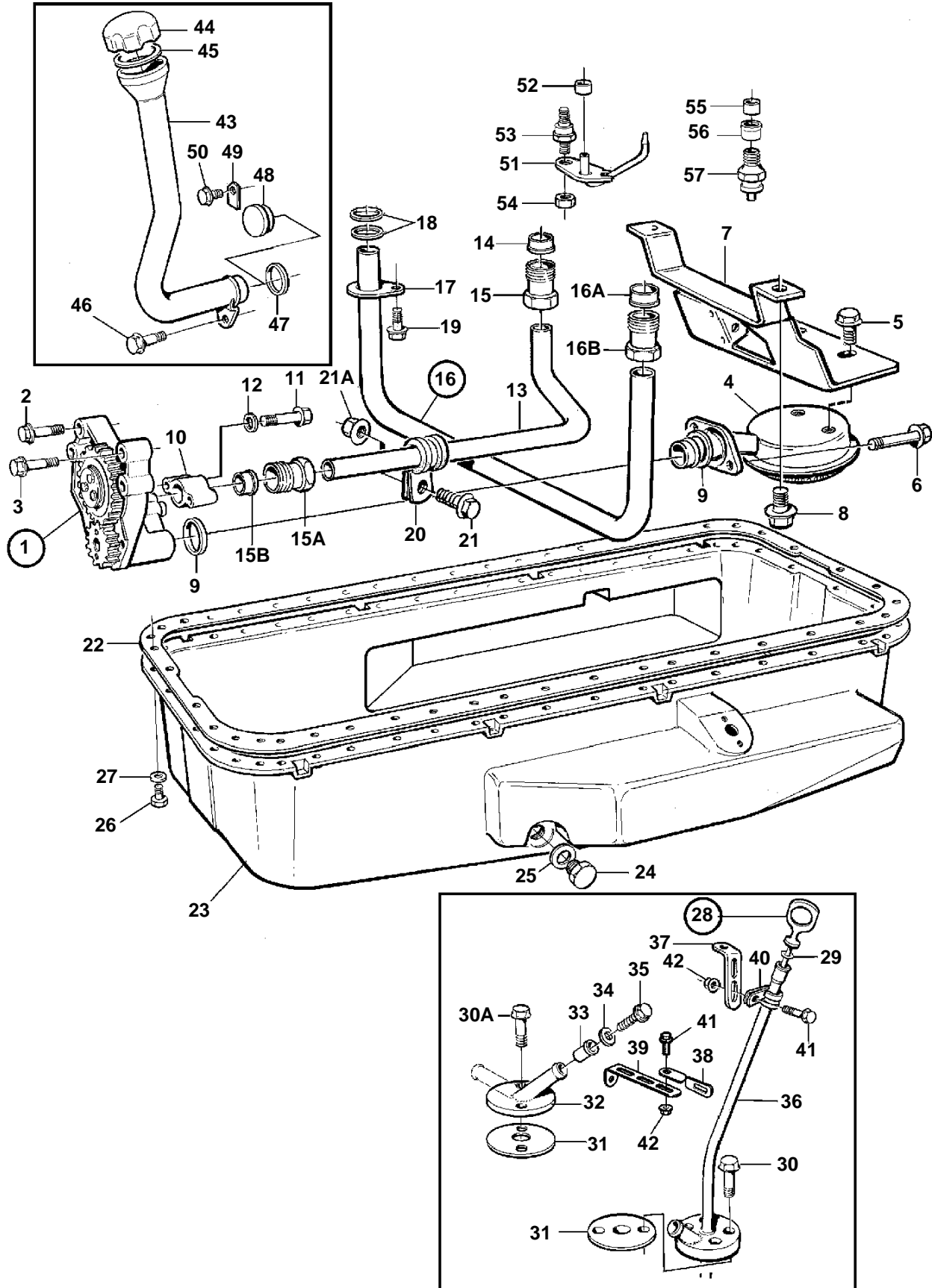


TAMD73P-A



TAMD73P-A

REF	PART NO.	QTY	DESCRIPTION	SEE SEC.	NOTES
1	864760	1	Oil pump		
				1036	
2	471513	4	Screw		
3	471734	2	Screw		
4	848941	1	Oil pump screen		
5	946440	2	Flange screw		
6	965184	2	Screw		L=100mm
7	3826485	1	Baffle plate		
8	946440	2	Flange screw		
9	470383	2	Sealing ring		
10	465846	1	Intermediate section		
11	955310	2	Screw		
12	955894	2	Washer		
13	477948	1	Oil feed pipe		
14	980786	1	· Ferrule		
15	471595	1	· Pressure pipe connec		
15A	471588	1	Pressure pipe connec		
15B	980786	1	Ferrule		
16	420996	1	Oil feed pipe, piston cooling		
16A	980786	1	· Ferrule		
16B	471595	1	· Pressure pipe connec		
17	471746	1	· Clamp		
18	471956	2	· Sealing ring		
19	946440	1	Flange screw		
20	1545433	1	Clamp		
21	946440	1	Flange screw		
21A	945408	1	Flange nut		
22	11030779	1	Gasket		(865342)
23	3827987	1	Oil pan		(847809). Later version of the oil sump has no hole for oil draining.
24	960634	1	Plug		Later version of the oil sump has no hole for oil draining.
25	18677	1	Gasket		Later version of the oil sump has no hole for oil draining.
26	940142	36	Screw		
27	941907	36	Spring washer		
28	848058	2	Oil dipstick		STD
	863166	2	Oil dipstick		For engine inclination over 5°.
29	949187	2	· O-ring		
30	947542	2	Screw		L=25mm
30A	946544	2	Flange screw		L=16mm
31	865385	2	Gasket		
32	864707	1	Flange		
33	843108	1	Bushing		
34	940090	1	Washer		
35	965200	1	Flange screw		
36	864710	2	Tube		
37	965558	1	Bracket		
38	1136551	1	Bracket		
39	965563	1	Bracket		
40	952627	2	Clamp		
41	946544	2	Flange screw		
42	945407	2	Flange nut		
43	848581	1	Oil filler pipe		Oil filler pipe 848581, cap 421753 and gasket 940096 are not standard equipment from SNXXXXXXXXXX/66654-
44	421753	1	Oil filler cap		Oil filler pipe 848581, cap 421753 and gasket 940096 are not standard equipment from SNXXXXXXXXXX/66654-
45	1275379	1	Gasket		Oil filler pipe 848581, cap 421753 and gasket 940096 are not standard equipment from SNXXXXXXXXXX/66654-
46	946173	1	Flange screw		
47	421629	1	Sealing ring		
48	848319	1	Plug		ALT
49	848318	1	Anchorage		ALT
50	946440	1	Flange screw		ALT, L=16mm
51	420628	6	Nozzle, piston cooling		

TAMD73P-A

REF	PART NO.	QTY	DESCRIPTION	SEE SEC.	NOTES
52	466874	6	Sealing ring		
53	471596	6	Stud		
54	948570	6	Lock nut		
55	864531	1	Tube		
56	980786	1	Ferrule		
57	864533	1	Reducing valve, piston cooling		