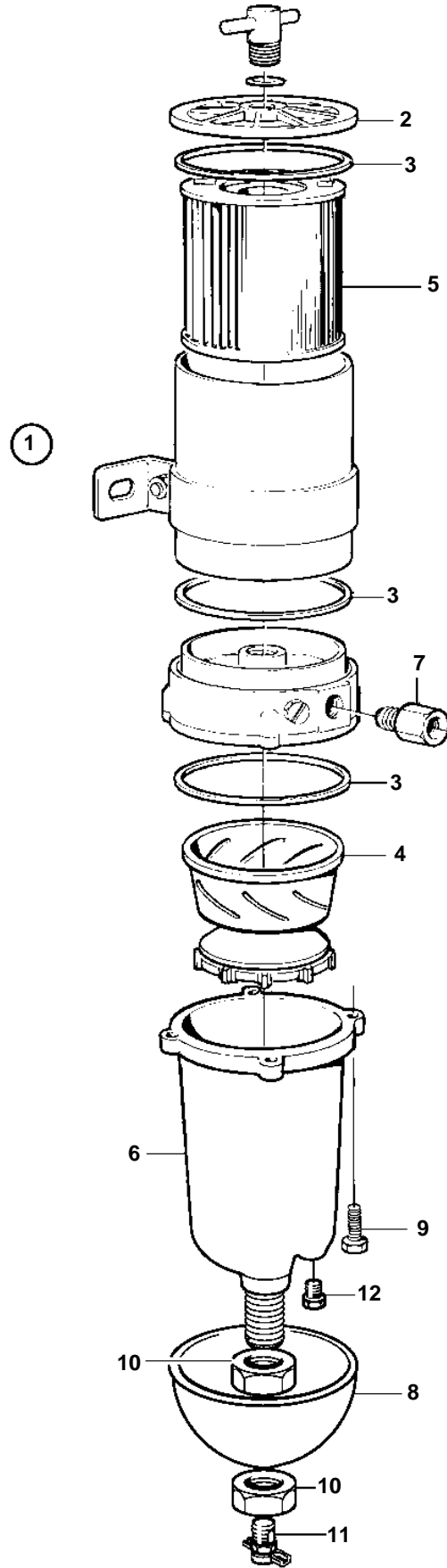


TAMD71B, TAMD73WJ-A, TAMD73P-A



17172

TAMD71B, TAMD73WJ-A, TAMD73P-A

| REF | PART NO. | QTY | DESCRIPTION | SEE SEC. | NOTES |
|-----|----------|-----|-----------------|----------|---|
| 1 | 3825021 | 1 | Fuel cleaner | | LATE TYPE. RINA approved. |
| | | | Bulletin 50-10 | 50-10-EN | Changes in Fuel Filter Program due to Legislation |
| 2 | 838505 | 1 | · O-ring | | |
| 3 | 846719 | 3 | · Gasket | | |
| 4 | 3825028 | 1 | · Turbine | | |
| 5 | 3825027 | 1 | · Filter insert | | |
| 6 | 3825030 | 1 | · Bowl | | Transparent Bowl. |
| 7 | 846620 | 2 | · Nipple | | |
| 8 | | 1 | · Heat shield | | |
| 9 | 940094 | 4 | · Screw | | |
| 10 | 861459 | 2 | · Nut | | |
| 11 | 861458 | 1 | · Tap | | |
| 12 | | 1 | · Plug | | |