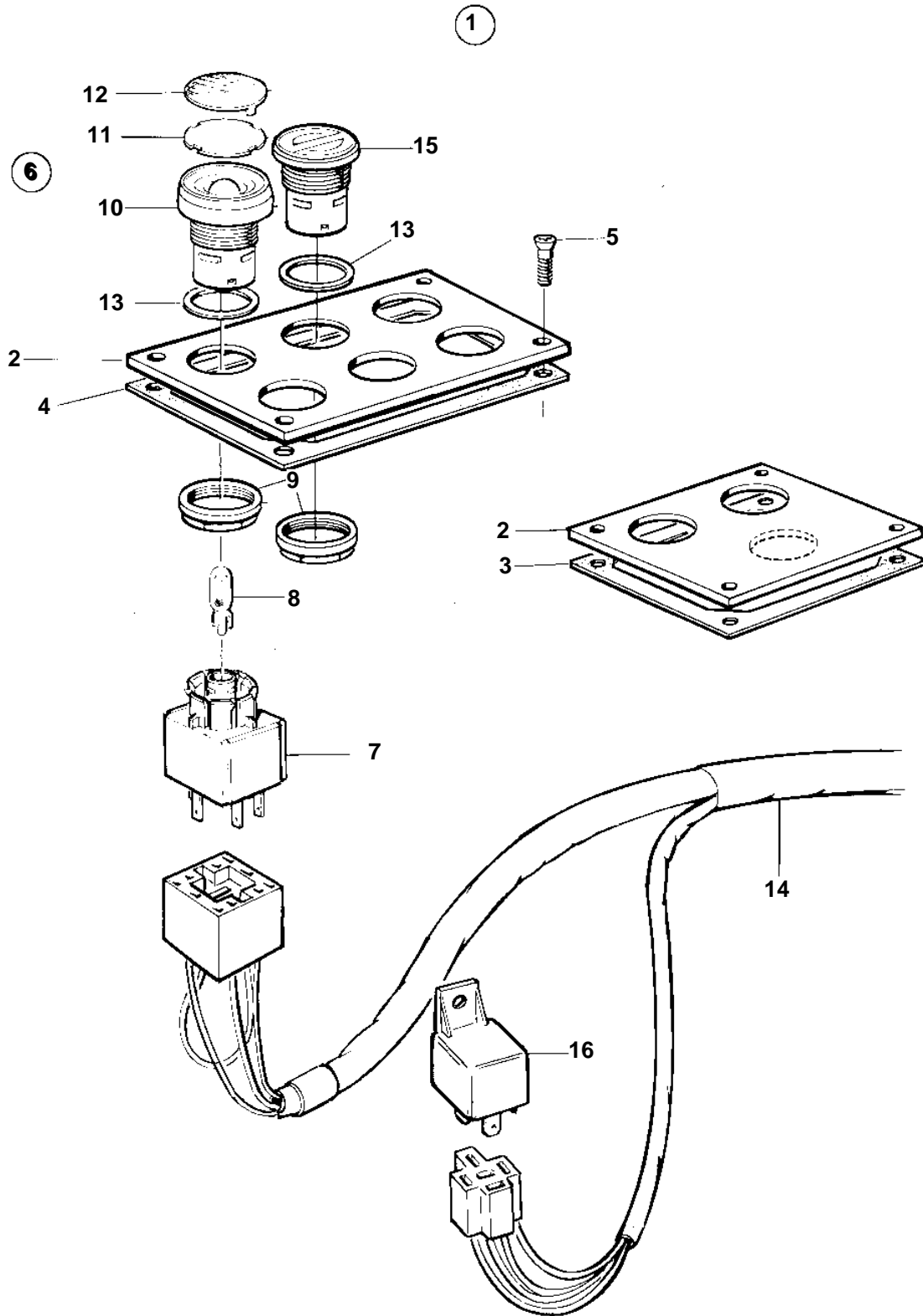


TAMD73P-A



16756

TAMD73P-A

REF	PART NO.	QTY	DESCRIPTION	NOTES
1		1	Control panel	6 HOLE. Twin engine installation. For single or multi stations.
		1	Control panel	2 HOLE. Twin engine installation. For single or multi stations.
2	873733	1	• Plate	6 HOLE. Twin engine installation. For single or multi stations.
4	873735	1	• Gasket	
5	828647	4	• Screw	
6	876950	6	• Push button	
7		6	• • Connector unit	24V, 1,2W
8	942327	6	• • Bulb	12V, 1,2W
	943638	6	• • Bulb	24V, 1,2W
9		6	• • Attaching ring	
10		6	• • Button	GREEN
11		36	• • Symbol strip	YELLOW
12		6	• • Cover plate	RED
		6	• • Cover plate	BLUE
		6	• • Cover plate	RED
		6	• • Cover plate	BLUE
13		6	• • Gasket	
14	873732	1	• Cable kit	
15	873750	1	• Plastic plug	
16	873611	1	• Relay	D=12,5mm
	1324492	1	• Relay	D=14,5mm