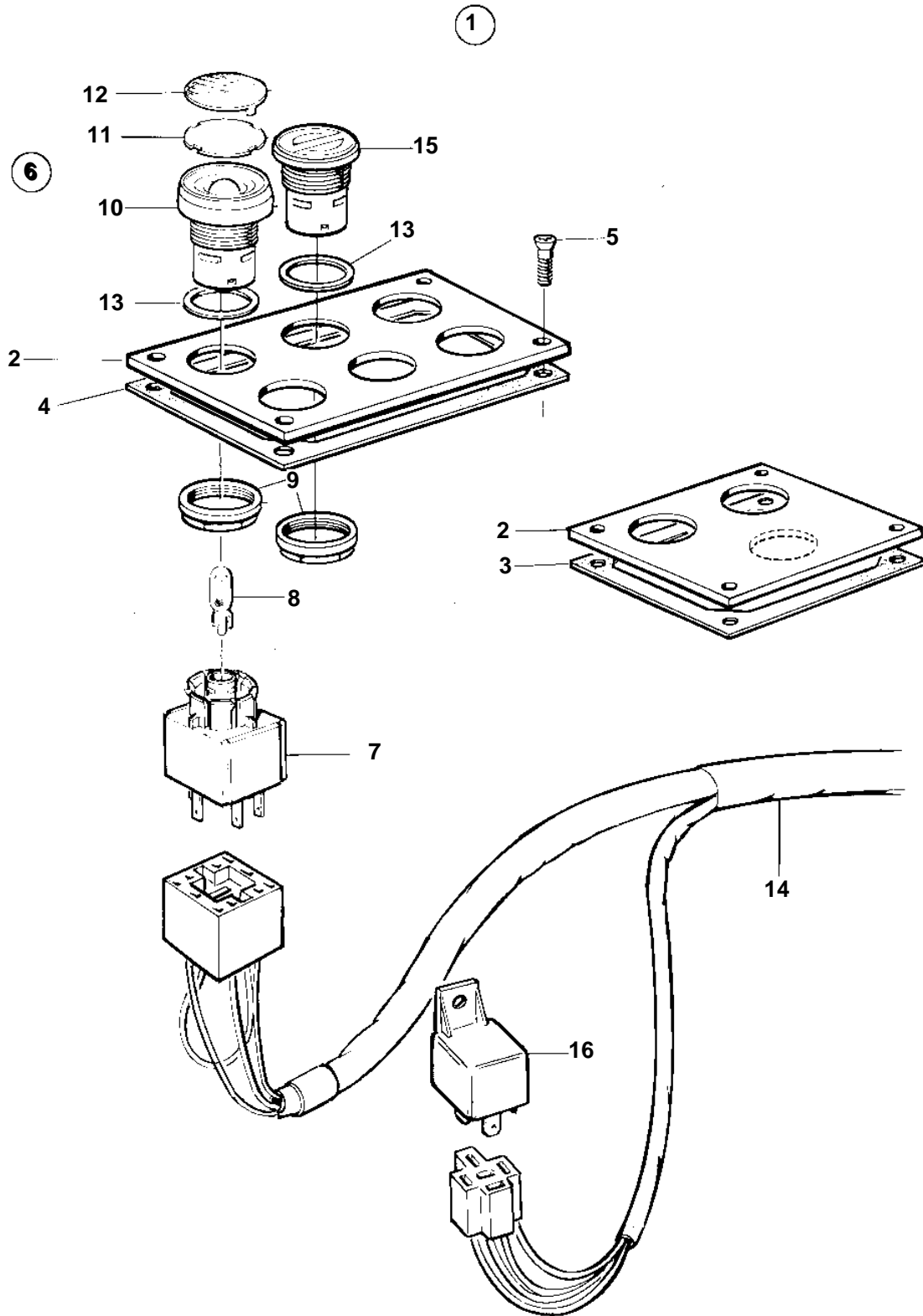


TAMD73P-A



16756

TAMD73P-A

REF	PART NO.	QTY	DESCRIPTION	NOTES
1		1	Control panel	3 HOLE. Single engine installation. For two or more stations.
2	873650	1	· Plate	6 HOLE. Single engine installation. For two or more stations.
3	873643	1	· Gasket	
5	828647	4	· Screw	
6	876950	3	· Push button	
7		3	· · Connector unit	24V, 1,2W
8	942327	3	· · Bulb	12V, 1,2W
	943638	3	· · Bulb	24V, 1,2W
9		3	· · Attaching ring	
10		3	· · Button	GREEN
11		18	· · Symbol strip	YELLOW
12		3	· · Cover plate	RED
		3	· · Cover plate	BLUE
		3	· · Cover plate	RED
		3	· · Cover plate	BLUE
13		3	· · Gasket	
14	873629	1	· Cable harness	