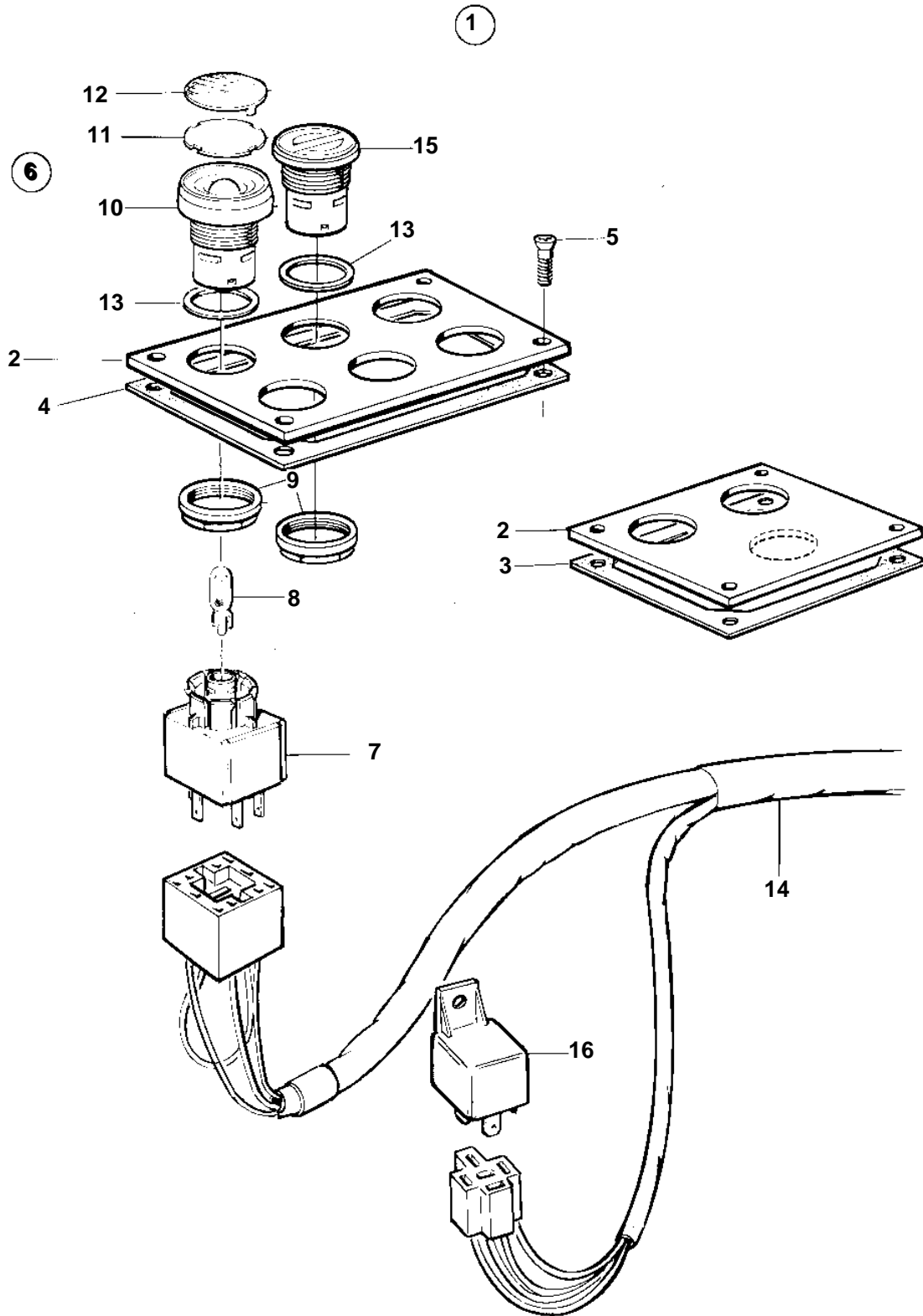


TAMD73P-A



16756

TAMD73P-A

REF	PART NO.	QTY	DESCRIPTION	NOTES
1		1	Control panel	2 HOLE. Single engine installation. For single station.
2	873642	1	• Plate	3 HOLE. Single engine installation. For single station.
3	873643	1	• Gasket	
5	828647	4	• Screw	
6	876950	2	• Push button	
7		2	• • Connector unit	24V, 1,2W
8	942327	2	• • Bulb	12V, 1,2W
	943638	2	• • Bulb	24V, 1,2W
9		2	• • Attaching ring	
10		2	• • Button	GREEN
11		12	• • Symbol strip	YELLOW
12		2	• • Cover plate	RED
		2	• • Cover plate	BLUE
		2	• • Cover plate	RED
		2	• • Cover plate	BLUE
13		2	• • Gasket	
14	873629	1	• Cable harness	