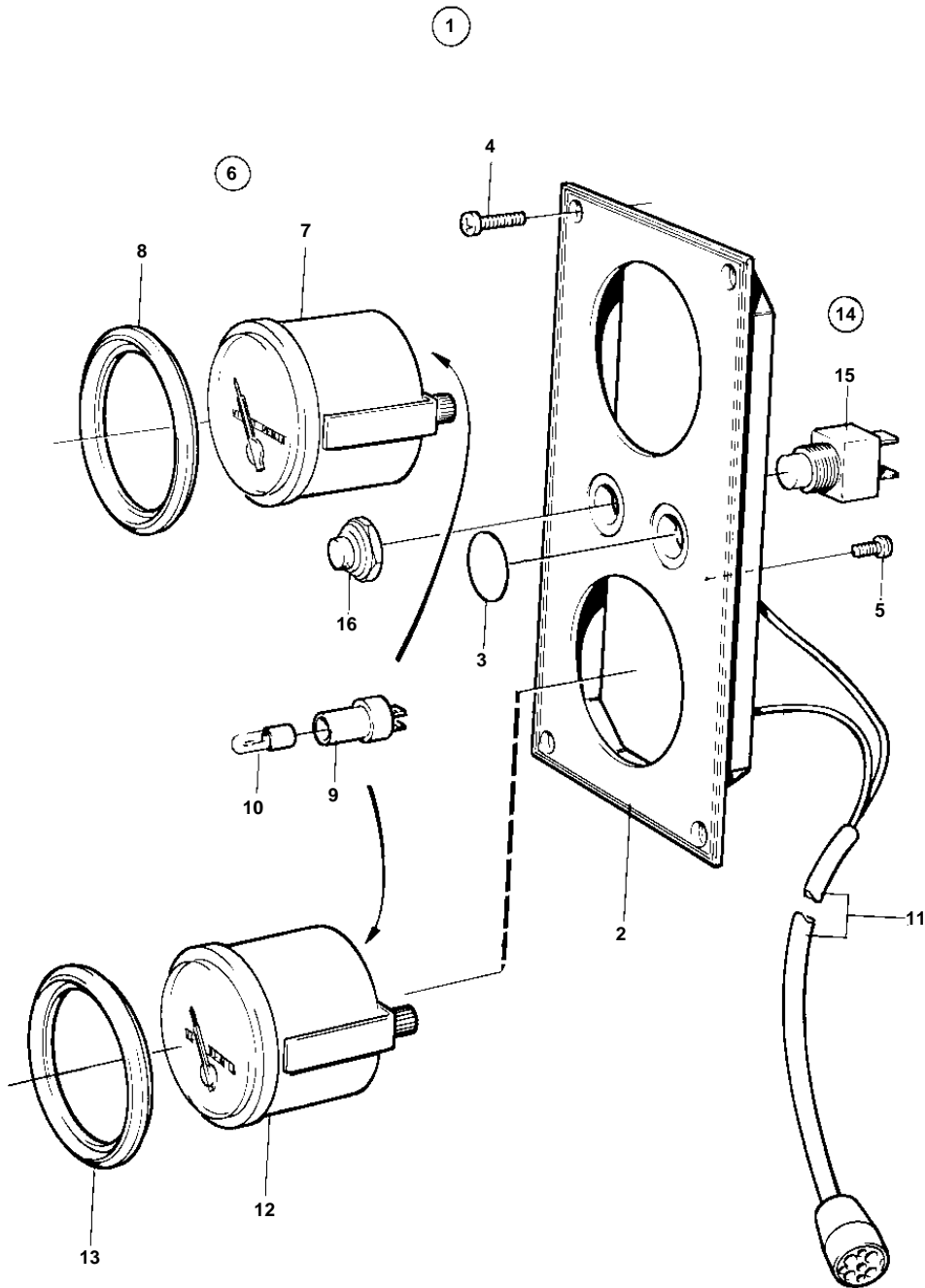


TAMD71B, TAMD73P-A, TAMD73WJ-A



6709

TAMD71B, TAMD73P-A, TAMD73WJ-A

REF	PART NO.	QTY	DESCRIPTION	SEE SEC.	NOTES
1		1	Instrument panel		REPLACED BY 858874. Gold coloured stripe.
2		1	· Instrument panel		
3	828607	2	· Cover plate		
4	828647	4	· Screw		
5	949947	1	· Screw		
6	1140464	1	Hour counter kit		(828711)
7	872479	1	· Hour counter		(828615)
8	858643	1	· Front ring		RED. White coloured stripe.
9	808175	1	· Bulb socket		
10	19923	1	· Bulb		12V
	182059	1	· Bulb		24V
11		X	· Electrical materials	1963	
12		1	Instrumentextra	2457	
13		1	· Front ring	2457	
14	828718	1	Switch		
	828719	1	Switch		
15	828584	1	· Switch		Closing during pressure and spring-loaded.
	828585	1	· Switch		Closing-breaking.
16	828586	1	· Nut		