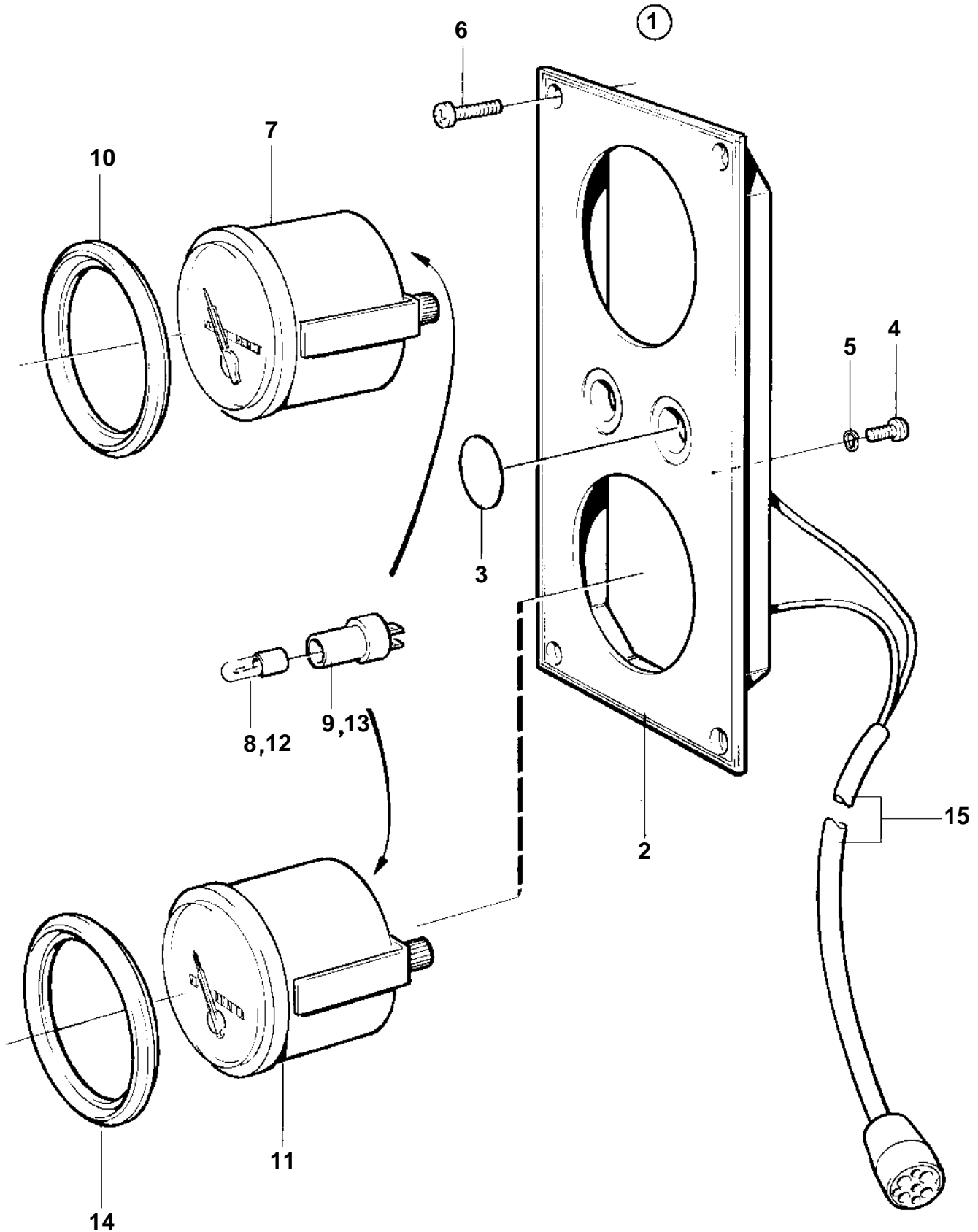


TAMD71B, TAMD73P-A, TAMD73WJ-A



## TAMD71B, TAMD73P-A, TAMD73WJ-A

| REF | PART NO. | QTY | DESCRIPTION          | SEE SEC. | NOTES  |
|-----|----------|-----|----------------------|----------|--|
| 1   | 846847   | 1   | Instrument panel     |          | REPLACED BY 849940<br>TAMD71B  |
|     | 849940   | 1   | Instrument panel     |          | REPLACED BY 864049. Gold coloured stripe.<br>TAMD71B   |
| 2   |          | 1   | · Instrument panel   |          | White coloured stripe.   |
| 3   | 828607   | 2   | · · Cover plate      |          |  |
| 4   | 949947   | 1   | · · Screw            |          |  |
| 5   | 941904   | 1   | · · Spring washer    |          |  |
| 6   | 828647   | 4   | · · Screw            |          |  |
| 7   | 873201   | 1   | · Oil pressure gauge |          | (863936)   |
| 8   | 863946   | 1   | · · Bulb             |          | RED. For instrument of earlier production should white bulb 19923<br>and socket 808175 be mounted. |
| 9   | 863945   | 1   | · · Bulb socket      |          | For instrument of earlier production should white bulb 19923 and<br>socket 808175 be mounted.      |
| 10  | 858643   | 1   | · Front ring         |          |  |
| 11  | 863938   | 1   | · Pressure gauge     |          | 0-2bar   |
| 12  | 863946   | 1   | · · Bulb             |          | RED  |
| 13  | 863945   | 1   | · · Bulb socket      |          |  |
| 14  | 858643   | 1   | · Front ring         |          |  |
| 15  |          | 1   | · Cable trunk        |          |  |
|     |          | X   | Electrical materials | 1963     |  |
|     |          | X   | Electrical materials | 1964     |  |
|     |          | X   | Electrical materials | 1965     |  |