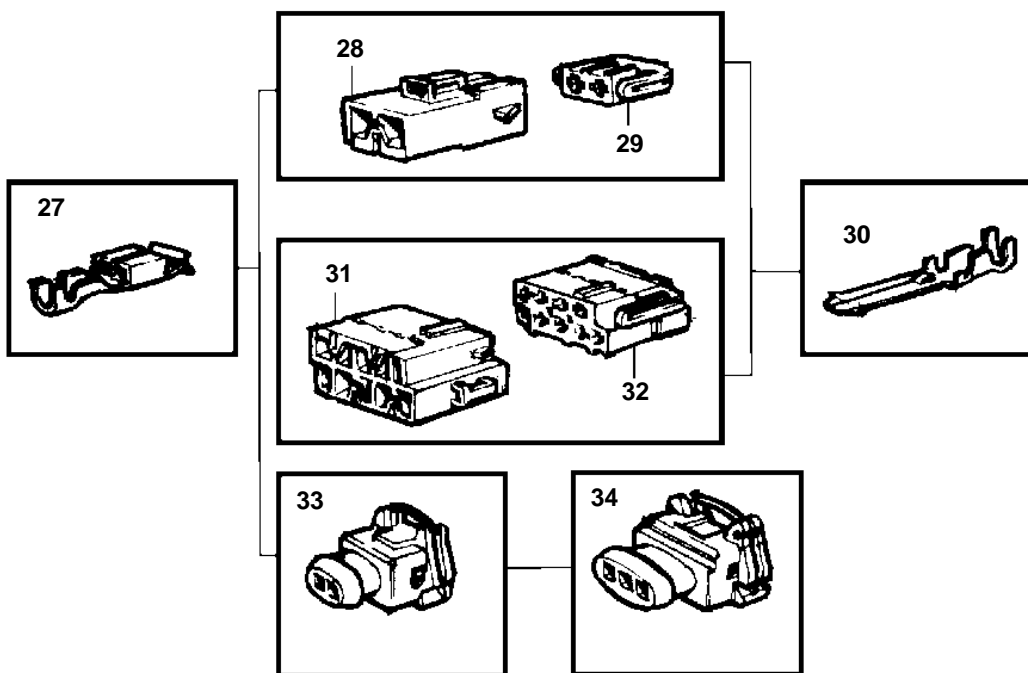
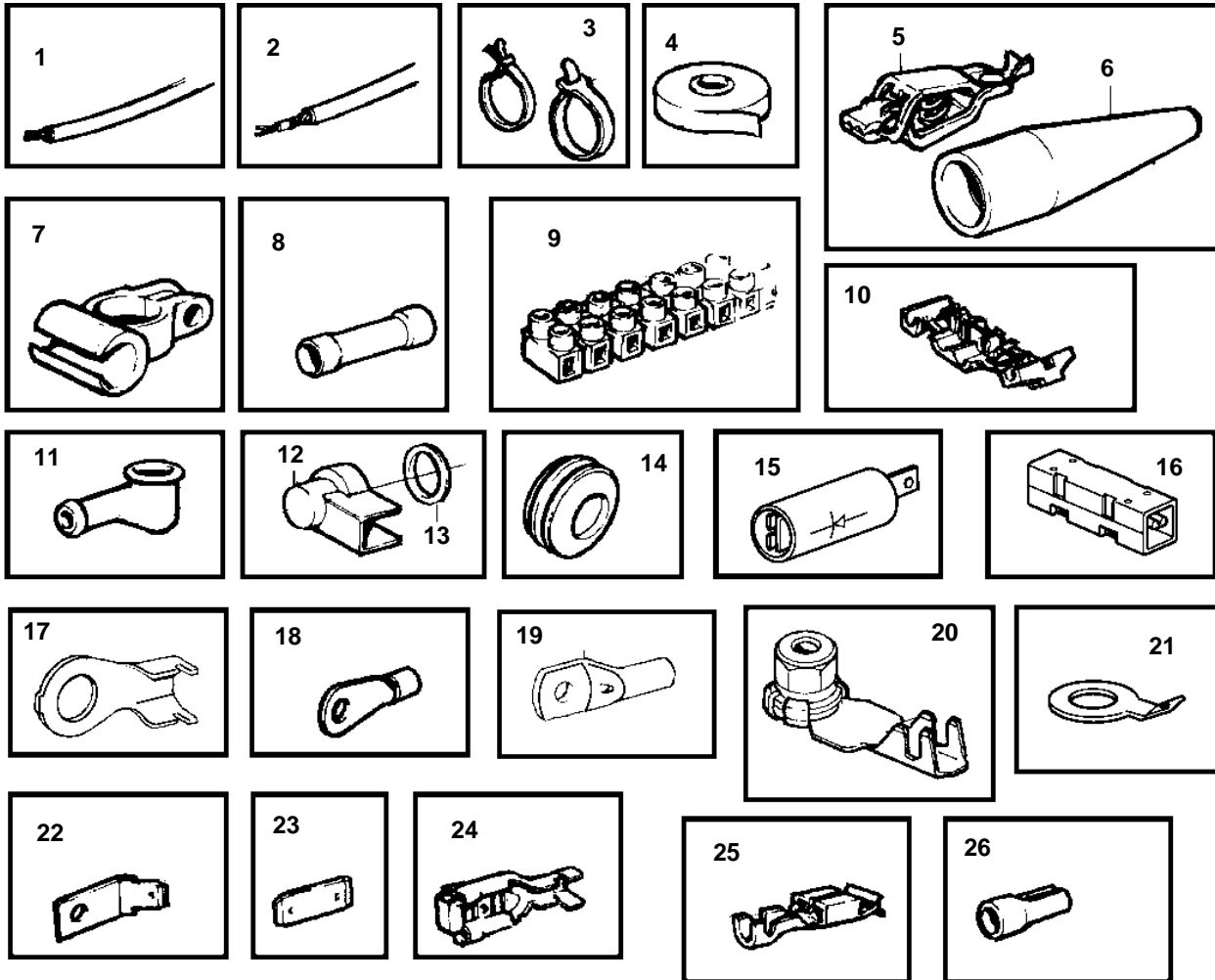


TAMD71B, TAMD73P-A, TAMD73WJ-A



TAMD71B, TAMD73P-A, TAMD73WJ-A

REF	PART NO.	DESCRIPTION	NOTES
1	954443	Cable, type RK	1,5sq.mm, BLACK
	970626	Cable, type RK	1,5sq.mm, RED
	970661	Cable, type R2	SO 1,5sq.mm, RED
	970663	Cable, type R2	SO 2,5sq.mm, BLACK
	970698	Cable, type R2	SO 2,5sq.mm, RED
	954461	Cable, type RK	4,0sq.mm, BLACK
	954467	Cable, type RK	6,0sq.mm, BLACK
	970711	Cable, type R2	6,0sq.mm, RED
	954485	Cable, type RK	16,0sq.mm, RED
	954500	Cable, type RK	25,0sq.mm, RED
	954502	Cable, type RK	35,0sq.mm, RED
2	862989	Cable	2x1,5sq.mm. Non reinforced ship cable approved by classification societies.
	863657	Cable	4,0sq.mm, RED. Reinforced ship cable approved by classification societies.
	842091	Cable	2x2,5sq.mm. Non reinforced ship cable approved by classification societies.
	842092	Cable	3x1,5sq.mm. Non reinforced ship cable approved by classification societies.
	862990	Cable	6,0sq.mm, BLACK. Non reinforced ship cable approved by classification societies.
		Cable	16,0sq.mm, RED. Non reinforced ship cable approved by classification societies.
	846273	Cable	25,0sq.mm, RED. Non reinforced ship cable approved by classification societies.
	844578	Cable	35,0sq.mm, RED. Non reinforced ship cable approved by classification societies.
	846639	Cable	2x1,5sq.mm. Non reinforced ship cable approved by classification societies.
	862991	Cable	2x1,5sq.mm. Non reinforced ship cable approved by classification societies.
	846346	Cable	2x2,5sq.mm. Replaced by cable harness 872679 and adapter 872939.
3	948211	Strip clamp	3x1,5sq.mm
	949666	Strip clamp, with mount. hole	3x4,0sq.mm
	948616	Strip clamp	3x6,0sq.mm
	862832	Strip clamp, steel	4x1,5sq.mm
4	858283	Electrical tape	4x2,5sq.mm
5	844280	Cable terminal, battery cable +pole	16x1,5sq.mm
6		Isolator	BLACK
		Isolator	RED
7	954505	Cable terminal, battery cable -pole	D=77mm L=280mm
	954506	Cable terminal, battery cable +pole	D=42mm L=170mm
8	956956	Splice	D=102mm L=362mm
	956958	Splice	1,5-2,5sq.mm, BLUE
	956960	Splice	L=61mm
9	926219	Coupling piece	BLACK
10	944306	Clamp	BLUE
11	829200	Protective cap	0,5-1,0sq.mm, RED
12	1234326	Protective cap	1,5-2,5sq.mm, BLUE
13	960140	Washer	3-6sq.mm, YELLOW
14	941269	Cable grommet	MAX 20sq.mm, 12-POLE
	821053	Rubber bushing	I.D=35mm
	943920	Protecting plug	I.D=40mm
15	1624394	Diode	
16	20382270	Diode	
17	970788	Cable terminal	M5x1,1-2,5sq.mm
	970789	Cable terminal	M6x1,1-2,5sq.mm
	970791	Cable terminal	M10x1,1-2,5sq.mm
18	881492	Cable terminal	M4x1,1-2,5sq.mm
	881493	Cable terminal	M5x1,1-2,5sq.mm
	881508	Cable terminal	M6x1,1-2,5sq.mm

TAMD71B, TAMD73P-A, TAMD73WJ-A

REF	PART NO.	DESCRIPTION	NOTES
18	881494	Cable terminal	M8x1,1-2,5sq.mm
	881504	Cable terminal	M10x1,1-2,5sq.mm
	881506	Cable terminal	M4x2,6-6,0sq.mm
	881495	Cable terminal	M5x2,6-6,0sq.mm
	881496	Cable terminal	M6x2,6-6,0sq.mm
	881497	Cable terminal	M8x2,6-6,0sq.mm
	881498	Cable terminal	M10x2,6-6,0sq.mm
	940331	Cable terminal	M5x6,1-10,0sq.mm
	940332	Cable terminal	M6x6,1-10,0sq.mm
	940333	Cable terminal	M8x6,1-10,0sq.mm
		Cable terminal	M10x6,1-10,0sq.mm
	881512	Cable terminal	M5x10,1-16,0sq.mm
	940335	Cable terminal	M6x10,1-16,0sq.mm
	940336	Cable terminal	M8x10,1-16,0sq.mm
	940337	Cable terminal	M10x10,1-16,0sq.mm
19	949587	Cable terminal	M10x10mm2
20	8140576	Nut	M4
21	865758	Cable terminal	I.D=12,5 D=23mm
22	944485	Spade terminal	6,3xM5x180
23	839328	Spade terminal	16,3x6,3x0,8
24	881491	Cable terminal	6,3x0,75-2,1sq.mm
25	853015	Cable terminal	FOR 853866, YASAKI. For trim instrument.
26	942429	Cable terminal	FOR 853866, YASAKI
27	970777	Cable terminal	
28	968377	Housing	2,8x2 NATURAL
	968379	Housing	2,8x2 GRAY
29	968376	Housing	4,8/2,8x2 NATURAL
	968378	Housing	4,8/2,8x2 GRAY
30	974313	Cable terminal	2,8x0,8x1,1-2,5sq.mm
31	968401	Housing	2,8x8 NATURAL
32	968400	Housing	4,8/2,8x8 NATURAL
33	976256	Switch	2-POLE
34	967713	Housing	3-POLE