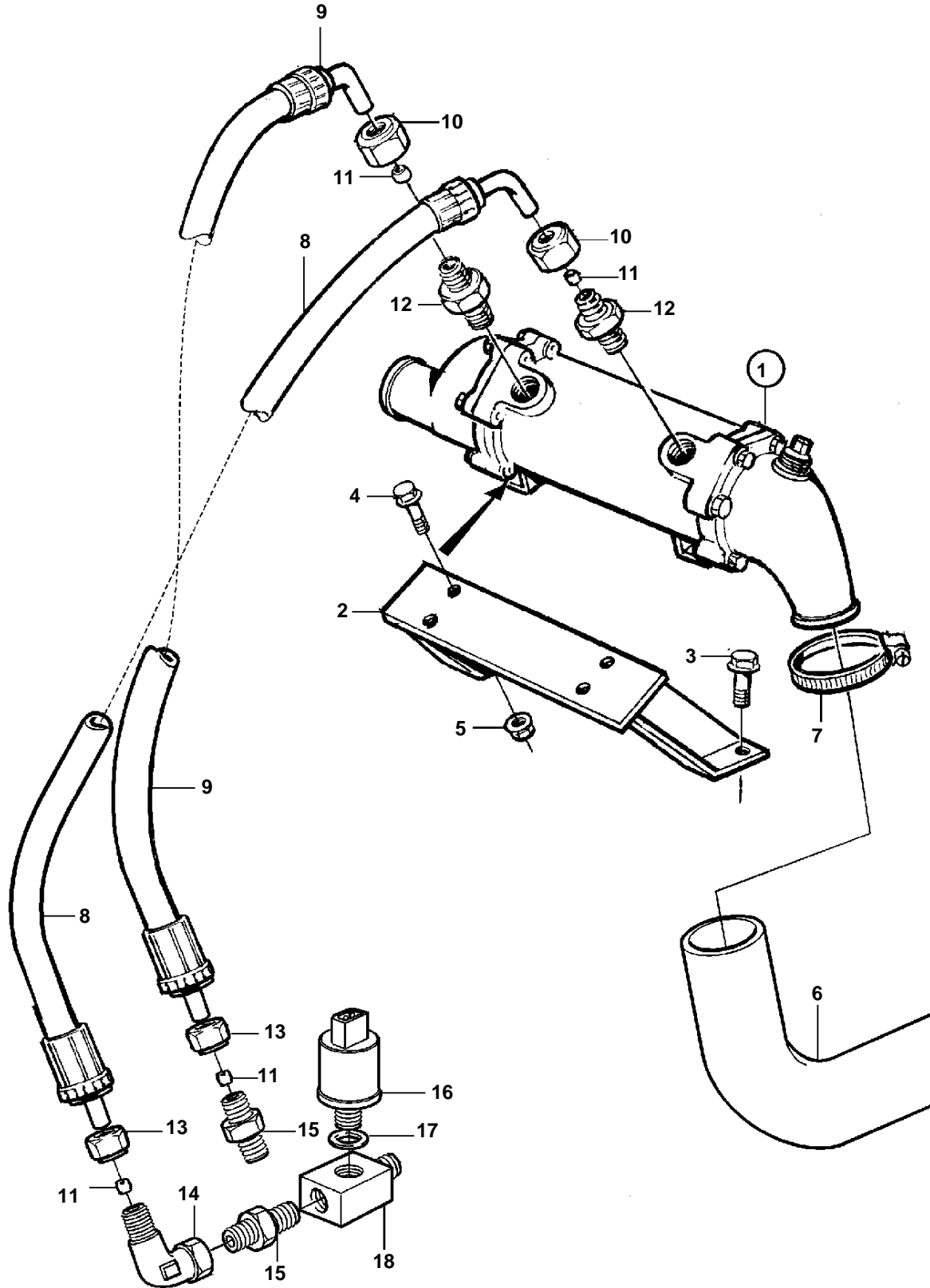


TAMD73P-A



17161

TAMD73P-A

| REF | PART NO. | QTY | DESCRIPTION | SEE SEC. | NOTES |
|-----|----------|-----|-------------|----------|----------|
| 1 | | 1 | Oil cooler | | |
| | | | | 772 | |
| 2 | 848098 | 1 | Bracket | | |
| 3 | 965191 | 2 | Screw | | |
| 4 | 955297 | 4 | Screw | | |
| 5 | 948645 | 4 | Lock nut | | |
| 6 | 3826393 | 1 | Hose | | |
| 7 | 961672 | 1 | Clamp | | |
| 8 | 847165 | 1 | Hose | | L=580mm |
| 9 | 837935 | 1 | Hose | | L=460mm |
| 10 | 941331 | 2 | Nut | | |
| 11 | 1677898 | 4 | Ferrule | | (956970) |
| 12 | 968132 | 2 | Nipple | | |
| 13 | 956984 | 2 | Nut | | |
| 14 | 964016 | 1 | Nipple | | |
| 15 | 941750 | 2 | Nipple | | |