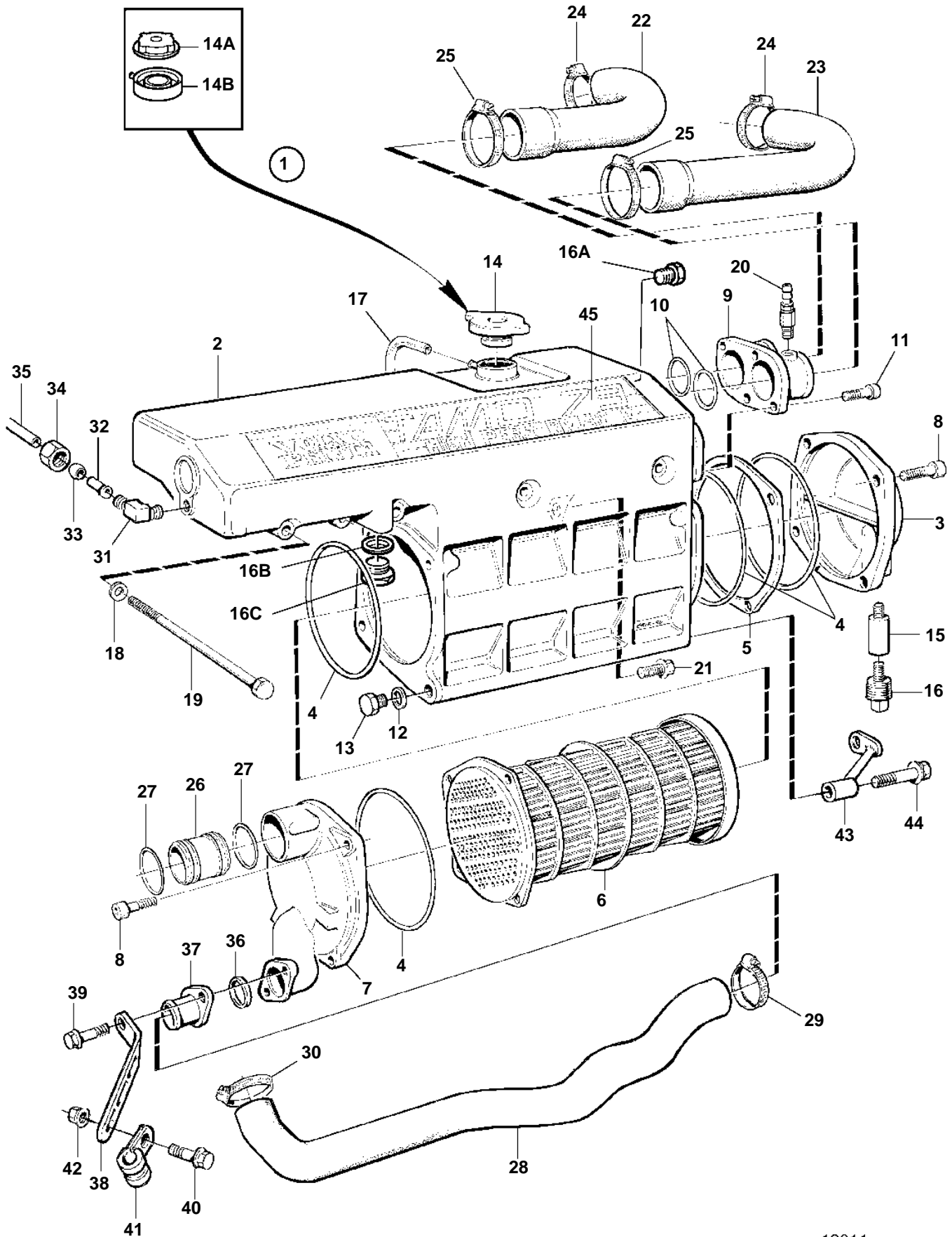


TAMD73P-A, TAMD73WJ-A



TAMD73P-A, TAMD73WJ-A

REF	PART NO.	QTY	DESCRIPTION	NOTES
1	3826339	1	Heat exchanger	REPL BY 3828574
2	3826787	1	• Heat exchanger housi	
3	3826789	1	• End plate	
4	3826783	4	• O-ring	
5	3826782	1	• Spacer	
6	3826790	1	• Heat exchanger eleme	
7	3826788	1	• End plate	
8	959224	8	• Screw	
9	866592	1	• Hose connection	
10	125362	2	• O-ring	
11	959222	4	• Screw	
12	907132	1	• Gasket	
13	960628	1	• Plug	
14	866761	1	• Pressure cap	
15	838929	1	• Zinc anod	
16	838928	1	• Plug	
17	192618	1	Hose	L=800mm
18	191172	5	Washer	
19	980359	5	Screw	M8x220mm
20	966871	2	Tap	
21	947760	1	Flange screw	
22	3826314	1	Hose	Thermostat housing-heat exchanger.
23	3830674	1	Hose	Heat exchanger-water pump.
24	961672	2	Clamp	
25	961673	2	Clamp	
26	866594	1	Intermediate section	
27	866690	2	O-ring	
28	3826393	1	Hose	Heat exchanger-oil cooler.
29	961671	1	Hose clamp	
30	961672	1	Clamp	
31	954385	1	Elbow nipple	
32	944717	1	Sleeve	
33	954364	1	Fitting	
34	954356	1	Cap nut	
35	945460	1	Plastic pipe	L=1110mm
36	864491	1	Gasket	
37	3826300	1	Tube	
38	965577	1	Bracket	
39	945444	2	Flange screw	
40	946544	1	Flange screw	
41	952627	1	Clamp	
42	945407	1	Flange nut	
43	3826392	1	Stay	
44	965180	1	Flange screw	
45	3826722	1	Decal	TAMD73EDC
	3826723	1	Decal	TAMD73WJ