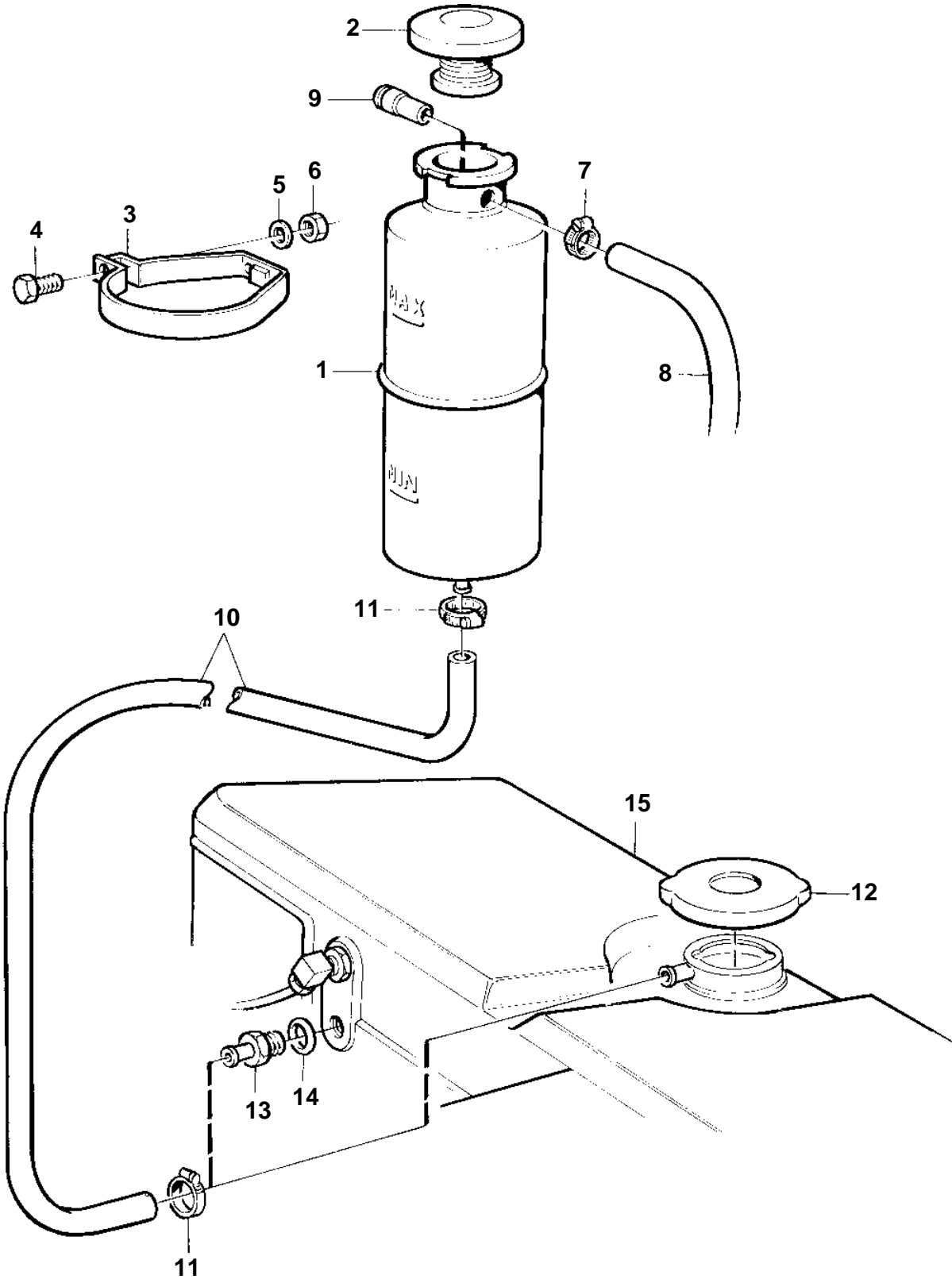


TAMD71B AUX, TAMD73P-A, TAMD73P-WJ



15938

TAMD71B AUX, TAMD73P-A, TAMD73P-WJ

REF	PART NO.	QTY	DESCRIPTION	NOTES
1	351579	1	Expansion tank	
2	87842	1	Pressure cap	
3	352120	2	Bracket	
4	940100	2	Screw	
5	941906	2	Spring washer	
6	955825	2	Nut	
7	961663	1	Clamp	
8	942700	X	Hose	L=1500mm
9	351580	1	Nipple	
10	941279	X	Hose	L=3200mm
11	961663	2	Clamp	
12	845587	1	Filler cap	
13	947502	1	Hose nipple	EARLY TYPE
14	11994	1	Gasket	EARLY TYPE
15		1	Expansion tank	SEE GROUP 26