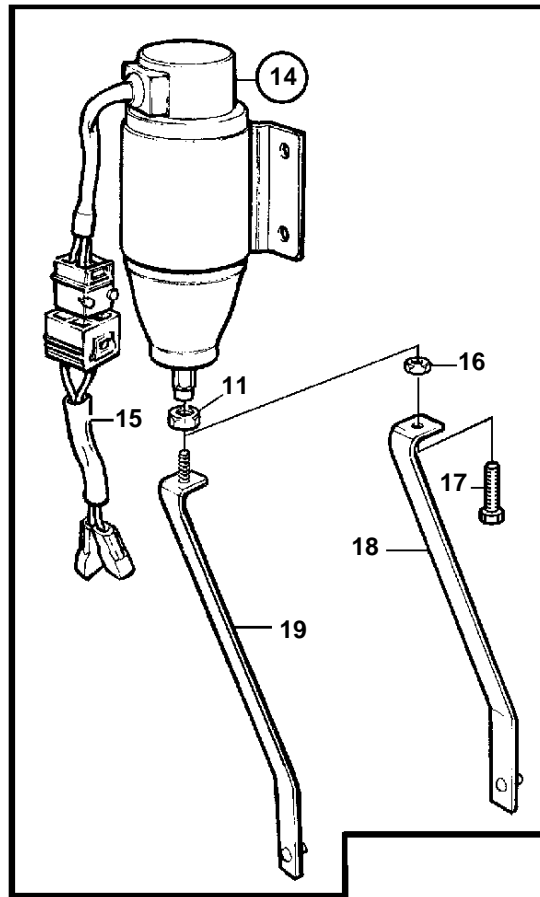
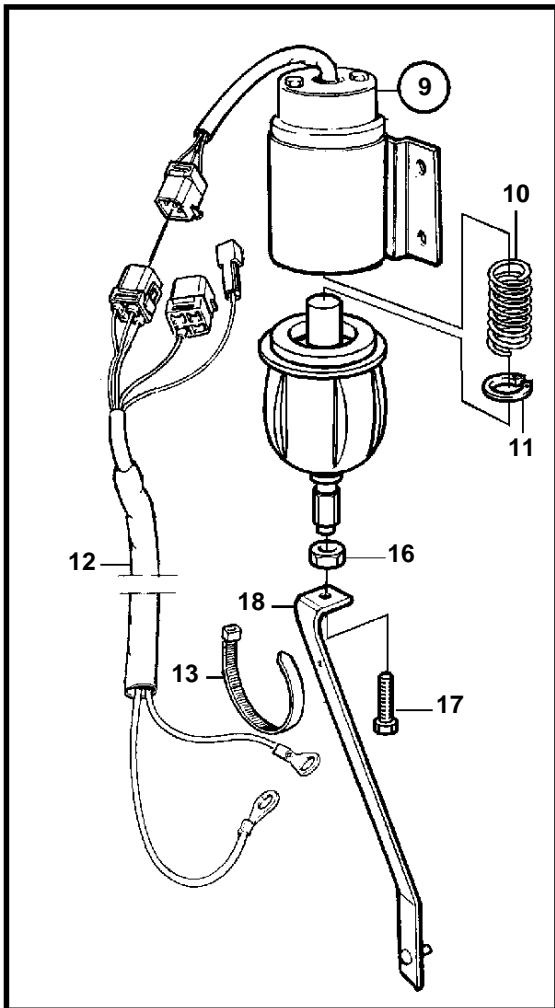
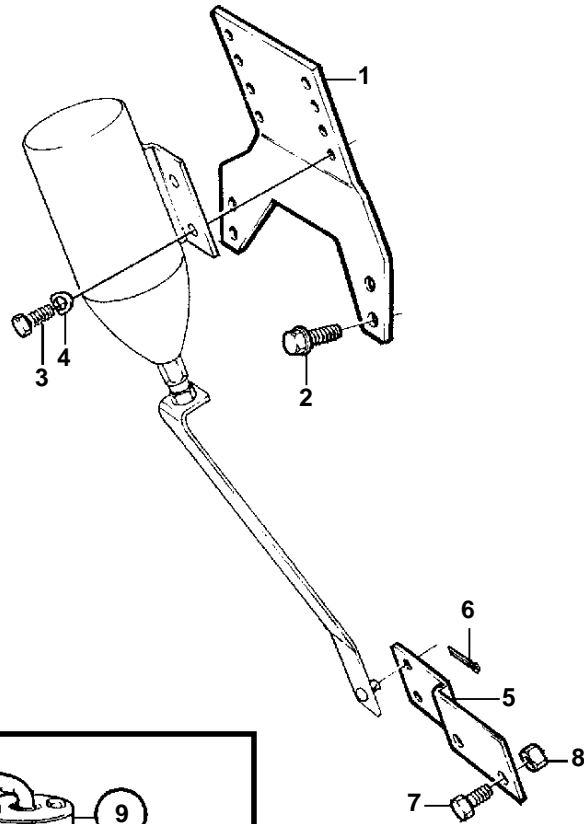


TAMD71B



17089

TAMD71B

REF	PART NO.	QTY	DESCRIPTION	NOTES
1	848105	1	Bracket	
2	946440	2	Flange screw	
3	955269	4	Screw	
4	949607	4	Spring washer	
5	848811	1	Lever	
6	664822	1	Lock spring	
7	945414	2	Screw	
8	946035	2	Lock nut	
9	3826743	1	Control magnet kit	12V, EARLY TYPE
	3826742	1	Control magnet kit	24V, EARLY TYPE
10	847009	1	· Return spring	
11		1	· Snap ring	
12	873638	1	Cable kit	EARLY TYPE
13	948211	X	Strip clamp	
14	876592	1	Control magnet kit	12V, EARLY TYPE
	876593	1	Control magnet kit	24V, EARLY TYPE
15		1	Adapter	EARLY TYPE
16	955782	1	Nut	
17	955297	1	Screw	Earlier production version.
18	848782	1	Link arm	Earlier production version.
19		1	Link arm	Replaced by 1 ea linkarm 848782, 1 ea screw 955297 and 1 ea nut 955782.. As spare part version, use earlier production version.