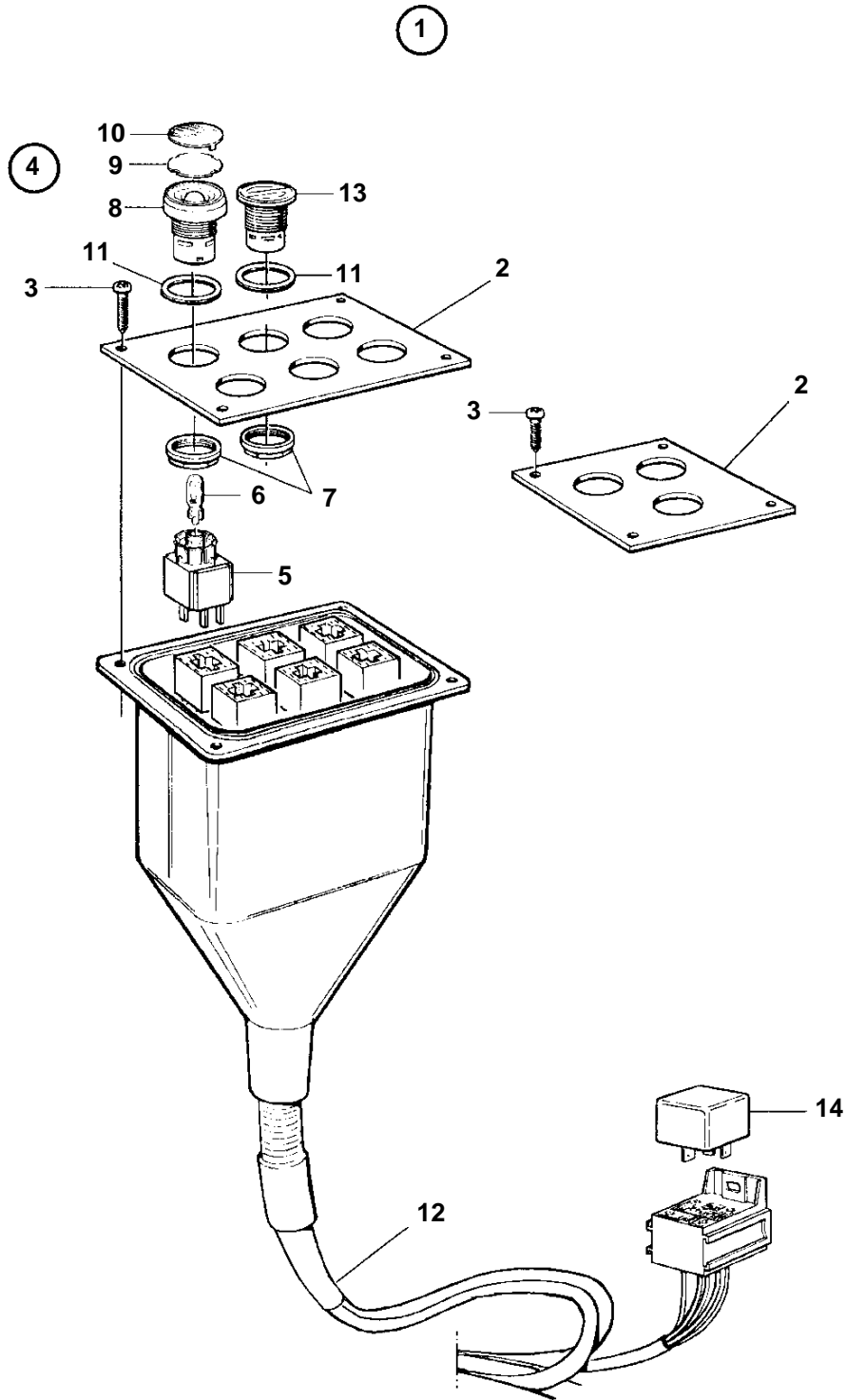


TAMD73P-A



17080

TAMD73P-A

REF	PART NO.	QTY	DESCRIPTION	NOTES
1	873890	1	Control panel	3 HOLE, 12V. Single engine installation. For two or more stations.
	873891	1	Control panel	3 HOLE, 24V. Single engine installation. For two or more stations.
2	873650	1	• Plate	3 HOLE. Single engine installation. For two or more stations.
3	828647	4	• Screw	
4	876950	3	• Push button	
5		3	• • Connector unit	
6	942327	3	• • Bulb	12V, 1,2W
	943638	3	• • Bulb	24V, 1,2W
7		3	• • Attaching ring	
8		3	• • Button	
9		18	• • Symbol strip	
10		3	• • Cover plate	GREEN
		3	• • Cover plate	YELLOW
		3	• • Cover plate	RED
		3	• • Cover plate	BLUE
11		3	• • Gasket	
12	873857	1	• Cable kit	
13	873750	X	• Plastic plug	