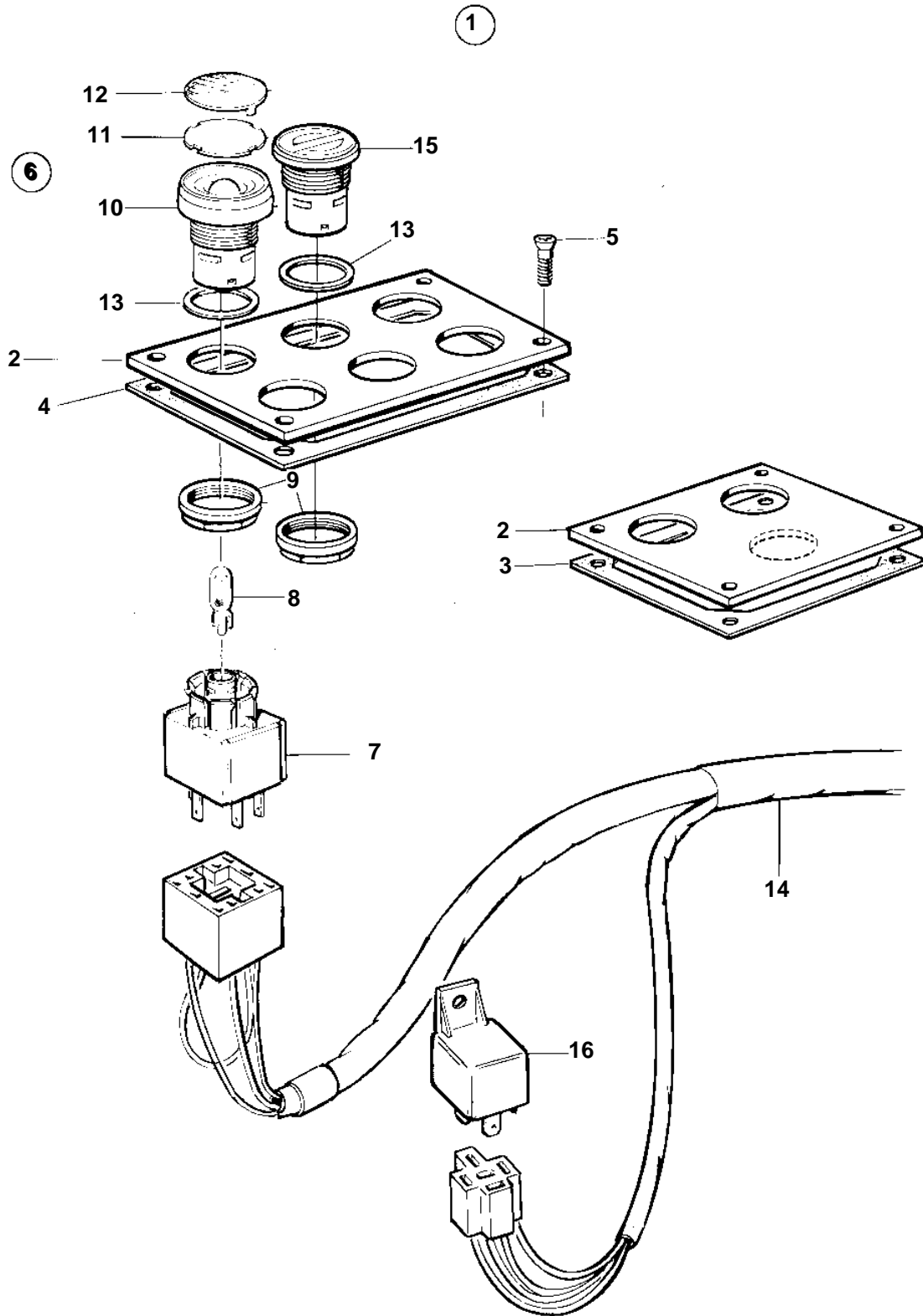


TAMD73P-A



16756

TAMD73P-A

REF	PART NO.	QTY	DESCRIPTION	NOTES
1		1	Control panel	2 HOLE. Single engine installation. For single station.
2	873642	1	· Plate	3 HOLE. Single engine installation. For single station.
3	873643	1	· Gasket	
5	828647	4	· Screw	
6	876950	2	· Push button	
7		2	· · Connector unit	24V, 1,2W
8	942327	2	· · Bulb	12V, 1,2W
	943638	2	· · Bulb	24V, 1,2W
9		2	· · Attaching ring	
10		2	· · Button	GREEN
11		12	· · Symbol strip	YELLOW
12		2	· · Cover plate	RED
		2	· · Cover plate	BLUE
		2	· · Cover plate	RED
		2	· · Cover plate	BLUE
13		2	· · Gasket	
14	873629	1	· Cable harness	