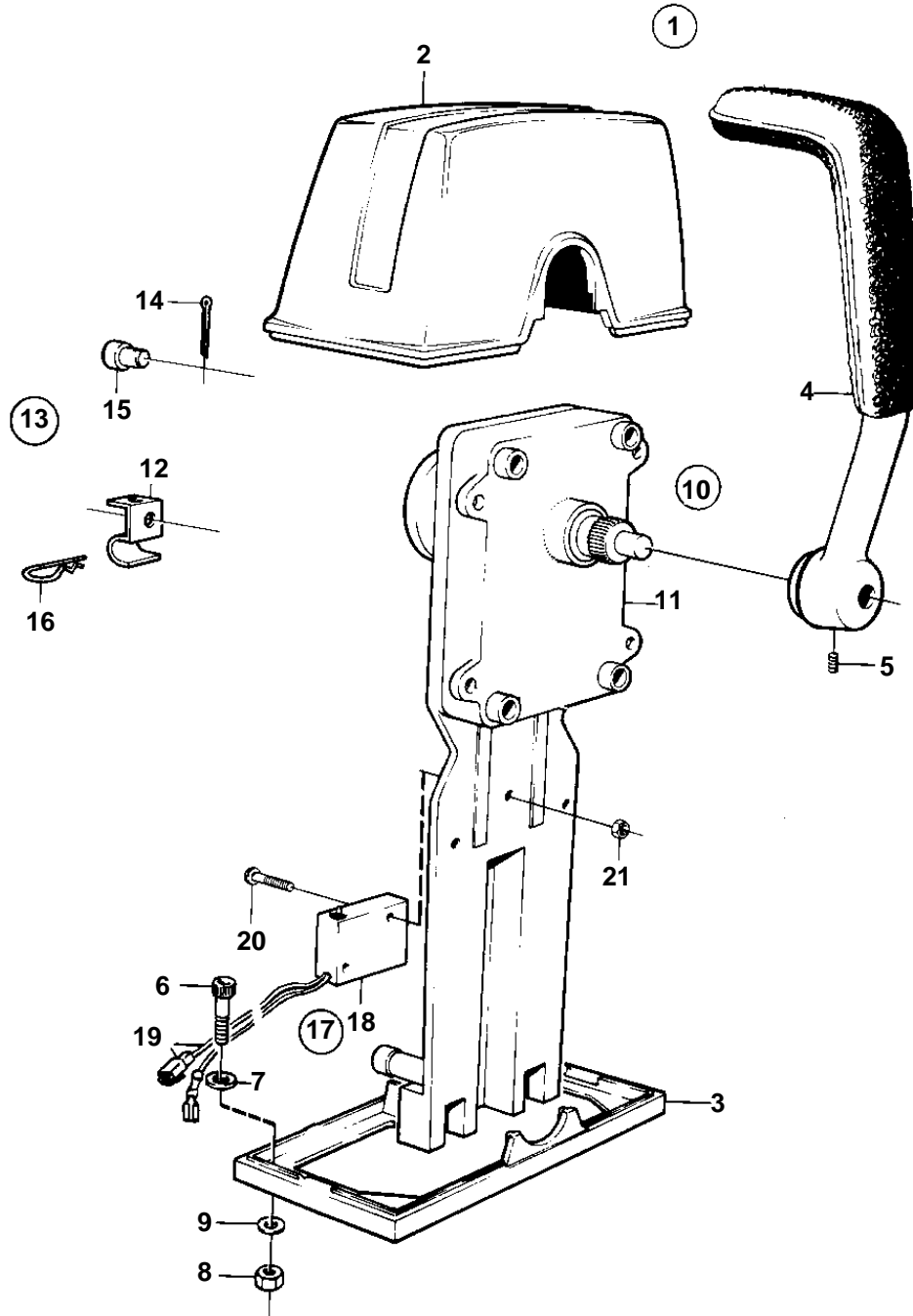


TAMD71B, TAMD73P-A, TAMD73WJ-A



9266

TAMD71B, TAMD73P-A, TAMD73WJ-A

| REF | PART NO. | QTY | DESCRIPTION | SEE SEC. | NOTES |
|-----|----------|-----|--------------------------|----------|--------------------------|
| 1 | 851602 | 1 | Mounting kit | | For single installation. |
| 2 | 850823 | 1 | · Cover | | (839472) |
| 3 | 839474 | 1 | · Plate | | |
| 4 | 839475 | 1 | · Lever | | |
| 5 | 839693 | 1 | · Lock screw | | |
| 6 | 947671 | 4 | · Allen head screw | | |
| 7 | 940090 | 2 | · Washer | | |
| 8 | 955780 | 4 | · Nut | | |
| 9 | 960138 | 4 | · Washer | | |
| 10 | 851600 | 1 | Control | | |
| 11 | | 1 | · Control mechanism | | |
| 12 | 853423 | 1 | · Retainer | | |
| 13 | | 1 | · Connector kit | | |
| 14 | 17253 | 2 | · · Cotter pin | | |
| 15 | 839638 | 2 | · · Cube | | |
| 16 | 852924 | 1 | · · Clip | | |
| 17 | 855352 | 1 | Neutral posit contac | | |
| 18 | 850200 | 1 | · Switch | | |
| 19 | | X | · · Cables and terminals | 1963 | |
| 20 | 946177 | 2 | · Screw | | |
| 21 | 947536 | 2 | · Nut | | |