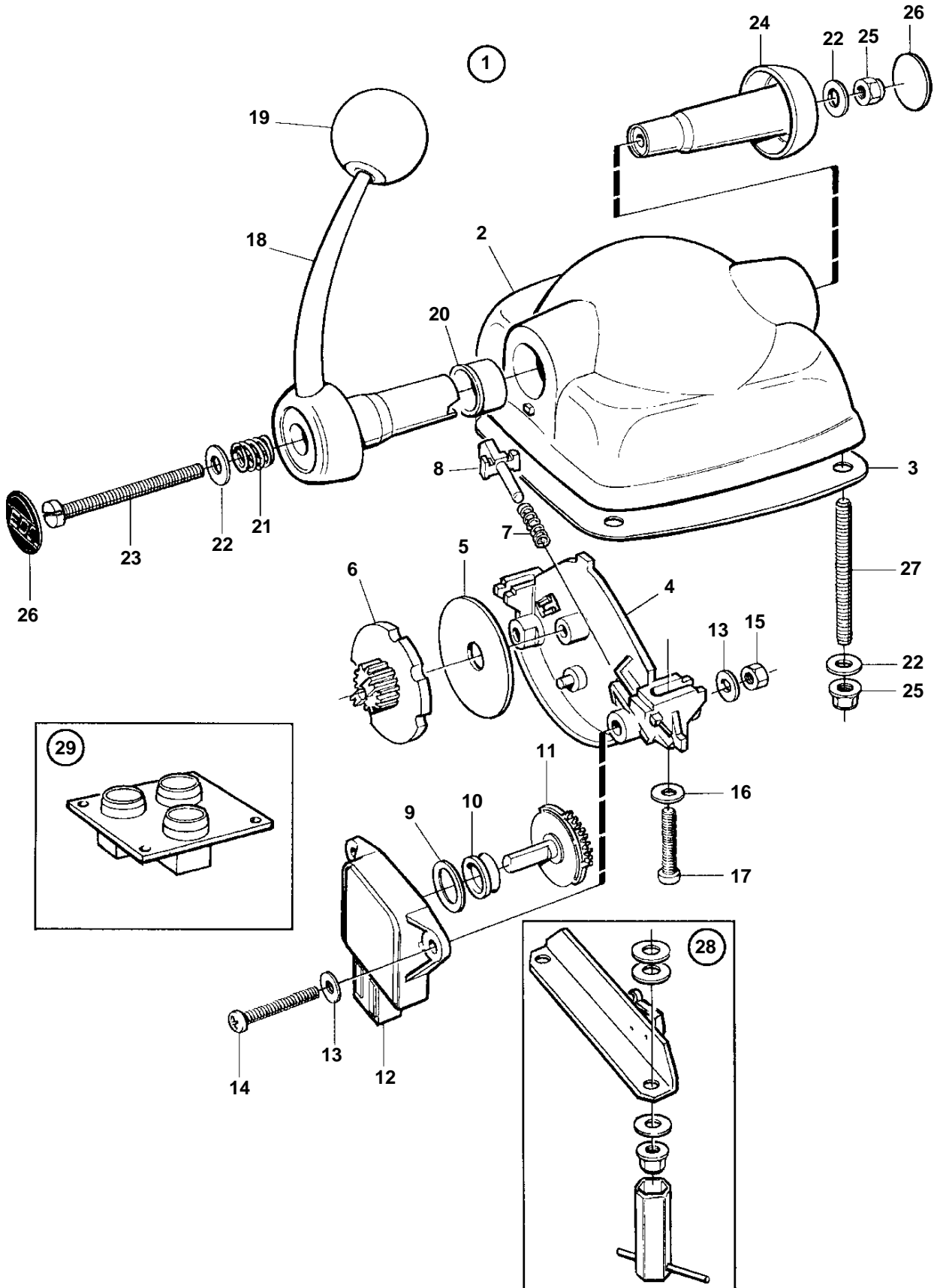


TAMD73P-A



TAMD73P-A

REF	PART NO.	QTY	DESCRIPTION	SEE SEC.	NOTES
1	1140646	1	Control		DOUBLE INSTALLATION
2		1	· Control housing		
3	3581674	1	· Gasket		
4		1	· Plate		
5	3581666	2	· Washer		
6	3581667	2	· Plate		
7		2	· Spring		
8	3581671	2	· Ball		
9		2	· Spacer ring		
10	3581676	2	· Ring		
11	3581668	2	· Gear		
12	1336385	2	· Potentiometer		
13		4	· Washer		
14	3581678	2	· Screw		
15	3581680	2	· Nut		
16		2	· Washer		
17	3581681	2	· Screw		
18		2	· Lever		
19	3581675	2	· Ball		
20	3581673	2	· Bearing		
21		1	· Spring		
22		6	· Washer		
23	3581683	1	· Screw		
25	3581686	5	· Nut		
26	3581669	2	· Decal		
27		4	· Stud		
28	873870	2	Microswitch		
29		1	Control panel		
				1848	Cable harness without moisture proof contacts and panel with 2 or 3 holes.
				3580	Cable harness with moisture proof contacts and panel with 3 holes.