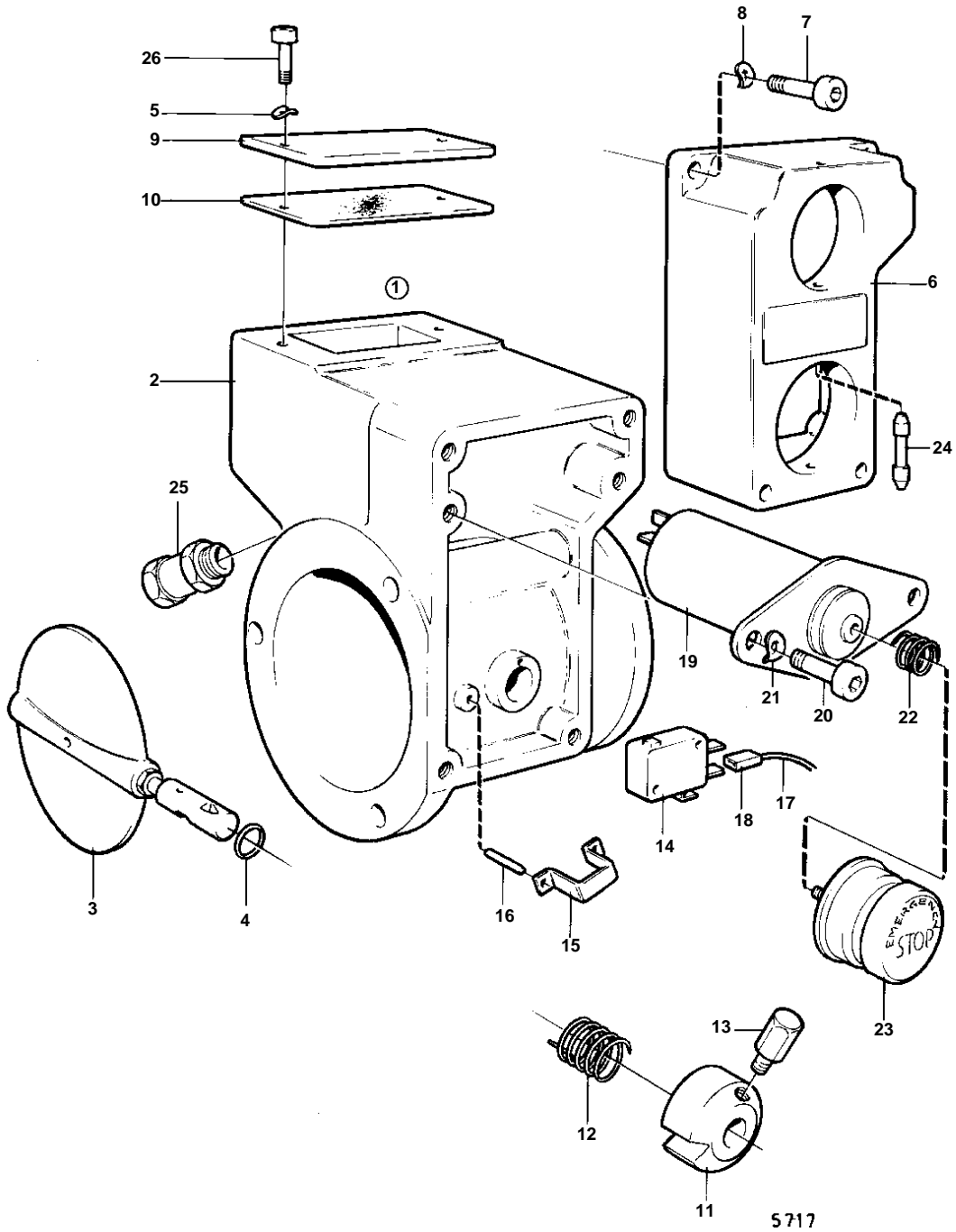


D70CHC,D70CRC,TD70CHC,TD70CRC



D70CHC,D70CRC,TD70CHC,TD70CRC

REF	PART NO.	QTY	DESCRIPTION	SEE SEC.	NOTES
1	845590	1	Shutter housing, THROTTLE HOUSING		REPLACED BY 1EA 848090 THROTTLE HOUSING, 1EA 848088 BRACE , 1EA 847917 PISTON, 1ST 847918 STOP DEVICE AND 1EA 897841 SPRING. MO-89883/238393
	848090	1	Shutter housing		MO89884/238394-
2		1	· HOUSING		
3		1	· SHUTTER		
4	925053	1	· O-ring		
5	941905	2	Spring washer		
6	842893	1	Cover		
7	959190	4	Screw		
8	941905	4	Spring washer		
9	843696	1	Cover		
10	843697	1	Gasket		
11	842899	1	Sleeve		
12	842898	1	Spring		
13	842903	1	Knob		
14	850200	1	Switch		
15	844574	1	Spring		
16	951938	2	Spring pin		
17		X	CABLES		ACC. TO CLASSIFICATION.
				030-0400	
18		X	CABLE TERMINALS	030-0400	
19	847952	1	Stop solenoid		
20	942001	2	Screw		
21	941906	2	Spring washer		
22	842900	1	Spring		MO-89883/238393
	897841	1	Spring		MO89884/238394-
23	842897	1	Stop device, STOP DEVICE		REPLACED BY 1EA 847917 PISTON AND 1EA 847918 STOP DEVICE. MO-89883/238393
	847918	1	Stop device		MO89884/238394-
24	842902	1	Piston, PISTON		REPLACED BY 1EA 847917 PISTON AND 1EA 847918 STOP DEVICE. MO-89883/238393
	847917	1	Piston		MO89884/238394-
25	844576	1	Cable union		
26	941460	2	Screw		