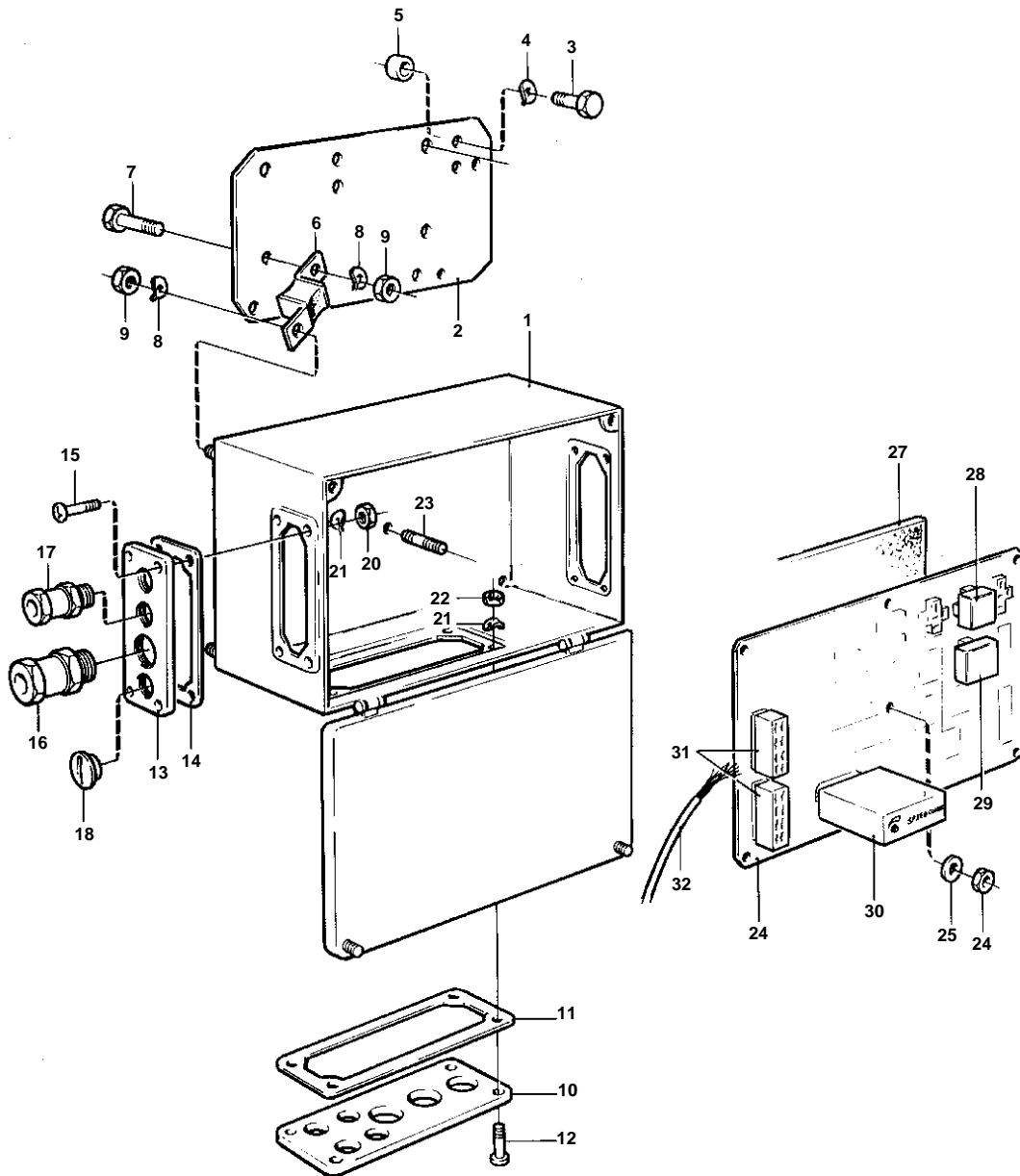


D70CHC,D70CRC,TD70CHC,TD70CRC



5812

D70CHC,D70CRC,TD70CHC,TD70CRC

REF	PART NO.	QTY	DESCRIPTION	SEE SEC.	NOTES
1	843536	1	Box		
2	843562	1	Attaching plate		
3	940159	3	Screw		
4	941907	3	Spring washer		
5	821539	3	Spacer sleeve		
6	845513	4	Absorber		
7	955295	4	Screw		
8	941907	8	Spring washer		
9	955782	8	Nut		
10	843577	1	Flange		
11	843579	1	Gasket		
12	956114	4	Screw		
13	843094	2	Flange		
14	843578	2	Gasket		
15	956093	8	Screw		
16	881193	X	Cable union		
17	822327	X	Cable union		
18	843903	X	Plug		
19	941906	8	Spring washer		
20	955781	8	Nut		
21	941907	4	Spring washer		
22	955782	4	Nut		
23		6	PIN BOLT		
24	843375	1	Circuit board		
25	962673	12	Washer		
26	963104	6	Nut		
27	845463	1	Absorber		
28	1504951	16	Relay		
29	842987	1	Voltage sensor		
30	843910	1	Race gard		
31	944077	4	Housing		
32		X	CABLES		ACC. TO CLASSIFICATION.
				030-0400	