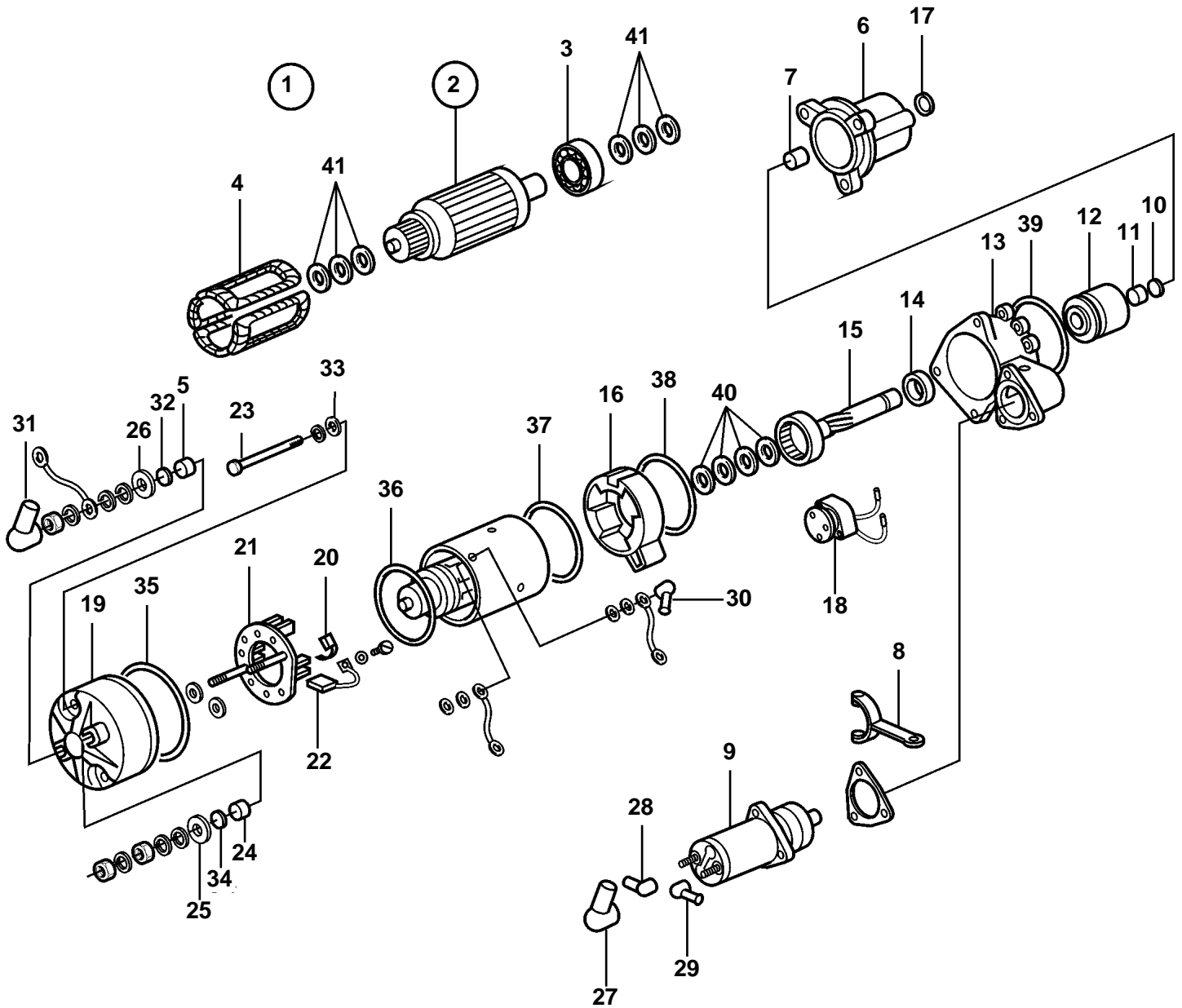


D65A-MT, D65A-MS



18575

**D65A-MT, D65A-MS**

REF	PART NO.	QTY	DESCRIPTION	NOTES
1	3835776	2	Starter motor	
2	3832151	2	· Rotor	
3	3832162	2	· · Bearing	
4	3833206	2	· Stator	
5	3834776	2	· Housing	
6	3833032	2	· Bracket	
7	3834930	2	· · Bearing bushing	
8	3833720	2	· Lever	
9	3834756	2	· Starter solenoid	
10	3834349	2	· Lock ring	
11	3834733	2	· Sleeve	
12	3833197	2	· Clutch	
13	3833026	2	· Bracket	
14	3832161	2	· Bearing	
15	3834495	2	· Shaft	
16	3833028	2	· Bracket	
17	3833313	2	· Cover	
18	3835777	2	· Relay	
19	3833061	2	· Bracket	
20	3834653	8	· Brush spring	
21	3833624	2	· Brush retainer	
22	3833078	8	· Carbon brush	
23	3832191	4	· Screw	
24	3834775	2	· Housing	
25	3834876	4	· Washer	
26	3834877	4	· Washer	
27		1	Protective cap	Not marketed by Volvo Penta.
28		1	Protective cap	Not marketed by Volvo Penta.
29		1	Protective cap	Not marketed by Volvo Penta.
30		1	Protective cap	Not marketed by Volvo Penta.
31		1	Protective cap	Not marketed by Volvo Penta.
32		1	Washer	Not marketed by Volvo Penta.
33		1	Washer	Not marketed by Volvo Penta.
34		1	Washer	Not marketed by Volvo Penta.
35		1	O-ring	Not marketed by Volvo Penta.
36		1	O-ring	Not marketed by Volvo Penta.
37		1	O-ring	Not marketed by Volvo Penta.
38		1	O-ring	Not marketed by Volvo Penta.
39		1	O-ring	Not marketed by Volvo Penta.
40		1	Washer kit	Not marketed by Volvo Penta.
41		1	Washer kitrotor	Not marketed by Volvo Penta.