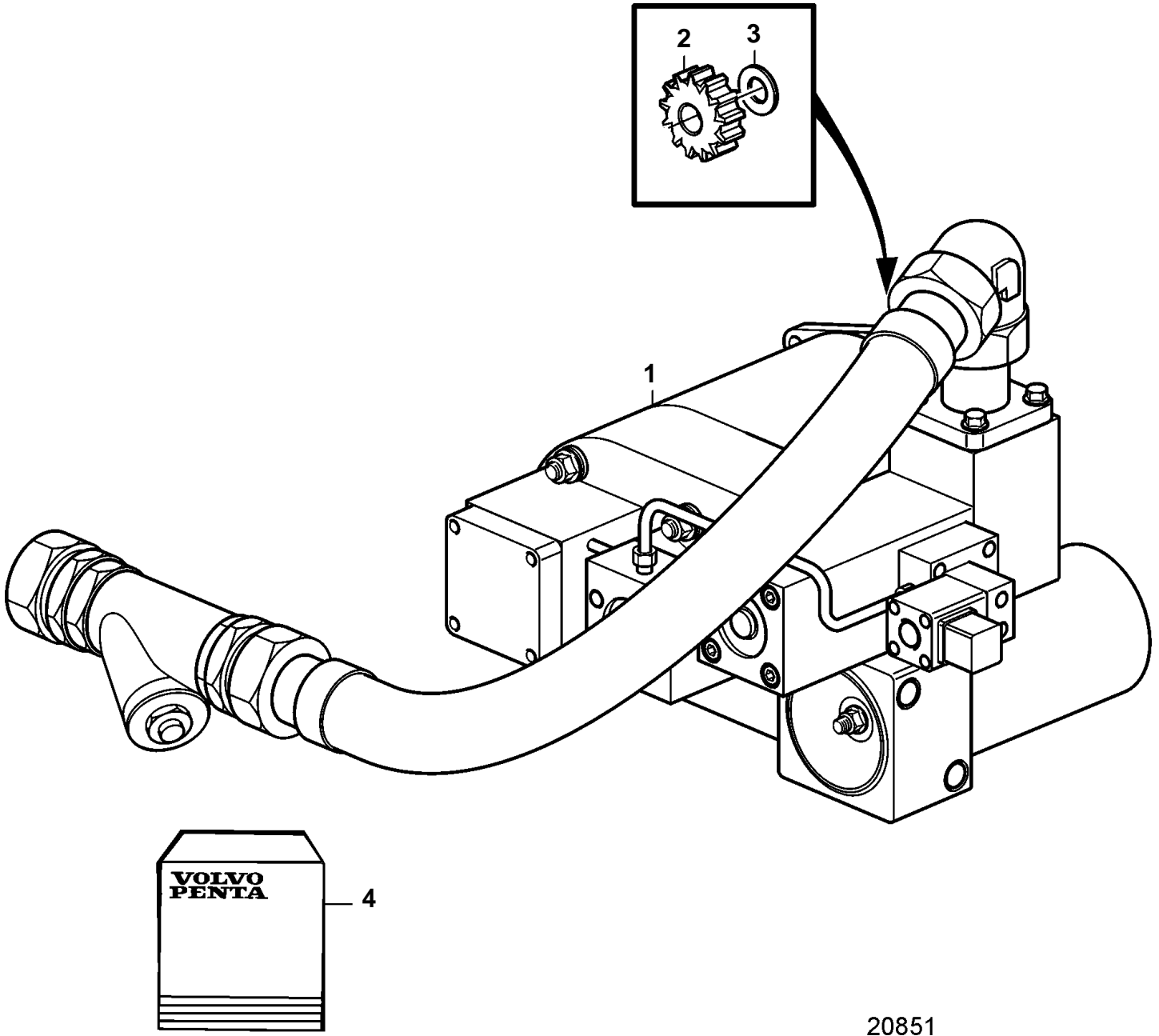


D65A-MT AUX, D65A-MS AUX



20851

D65A-MT AUX, D65A-MS AUX

REF	PART NO.	QTY	DESCRIPTION
1	3807540	1	Starter motor
2	3807543	1	Pinion
3	3807546	1	Seal
4	3807547	1	Repair kit, Comps. not spec.