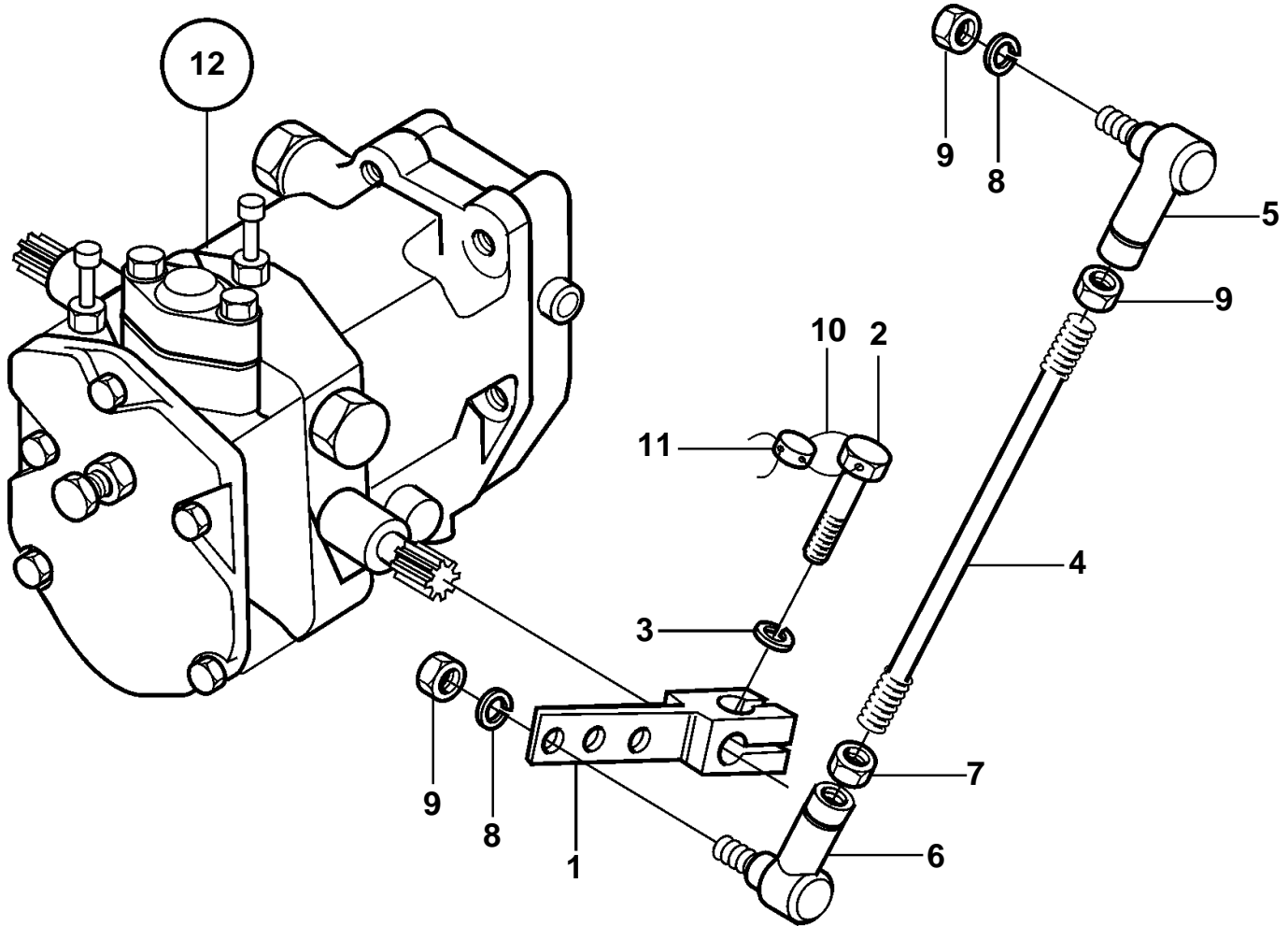


D65A-MT AUX, D65A-MS AUX



**D65A-MT AUX, D65A-MS AUX**

REF	PART NO.	QTY	DESCRIPTION	SEE SEC.
1	3833712	1	Lever	
2	3832321	1	Screw	
3	3832225	1	Spring washer	
4	3835791	1	Drive pin	
5	3835077	1	Ball joint	
6	3835792	1	Ball joint	
7	3831951	1	Lock nut	
8	3832225	2	Spring washer	
9	3832192	3	Lock nut	
10	3837686	1	Wire	
11	3832024	1	Lead sealing tab	
12	3833606	1	Regulator	
				6088