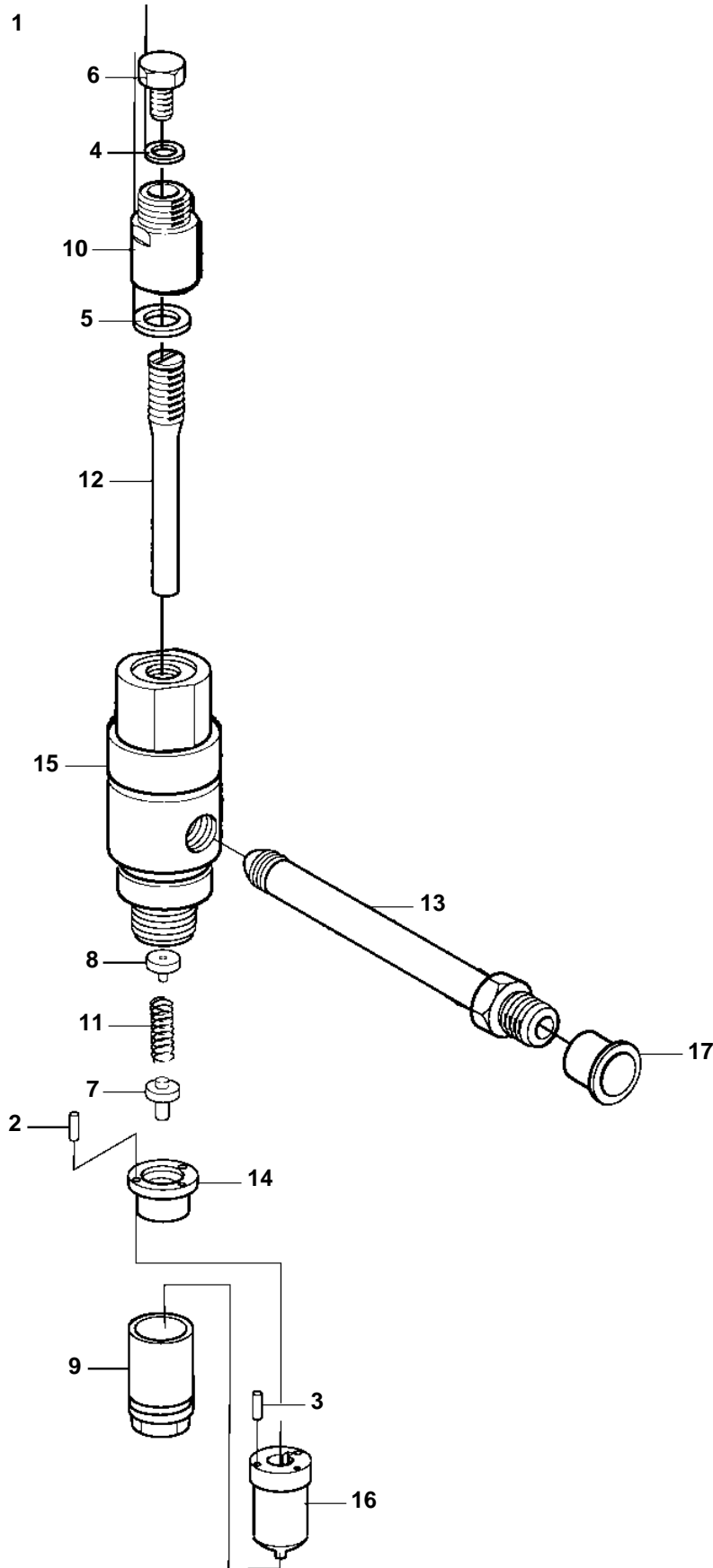


D65A-MT AUX, D65A-MS AUX



D65A-MT AUX, D65A-MS AUX

| REF | PART NO. | QTY | DESCRIPTION       |
|-----|----------|-----|-------------------|
| 1   | 3835102  | 1   | Injector          |
| 2   | 3831661  | 2   | · Locating pin    |
| 3   | 3831662  | 2   | · Pin             |
| 4   | 3831587  | 1   | · Sealing washer  |
| 5   | 3831591  | 1   | · Sealing washer  |
| 6   | 3834431  | 1   | · Set screw       |
| 7   | 3835195  | 1   | · Push rod        |
| 8   | 3834488  | 1   | · Seat            |
| 9   | 3833828  | 1   | · Nut             |
| 10  | 3833815  | 1   | · Cap nut         |
| 11  | 3834658  | 1   | · Spring          |
| 12  | 3834418  | 1   | · Adjusting screw |
| 13  | 3833285  | 1   | · Connector       |
| 14  | 3834640  | 1   | · Spacer          |
| 15  | 3832189  | 1   | · Nozzle retainer |
| 16  | 3831901  | 1   | · Injector        |
| 17  | 3588037  | 1   | · Bushing         |