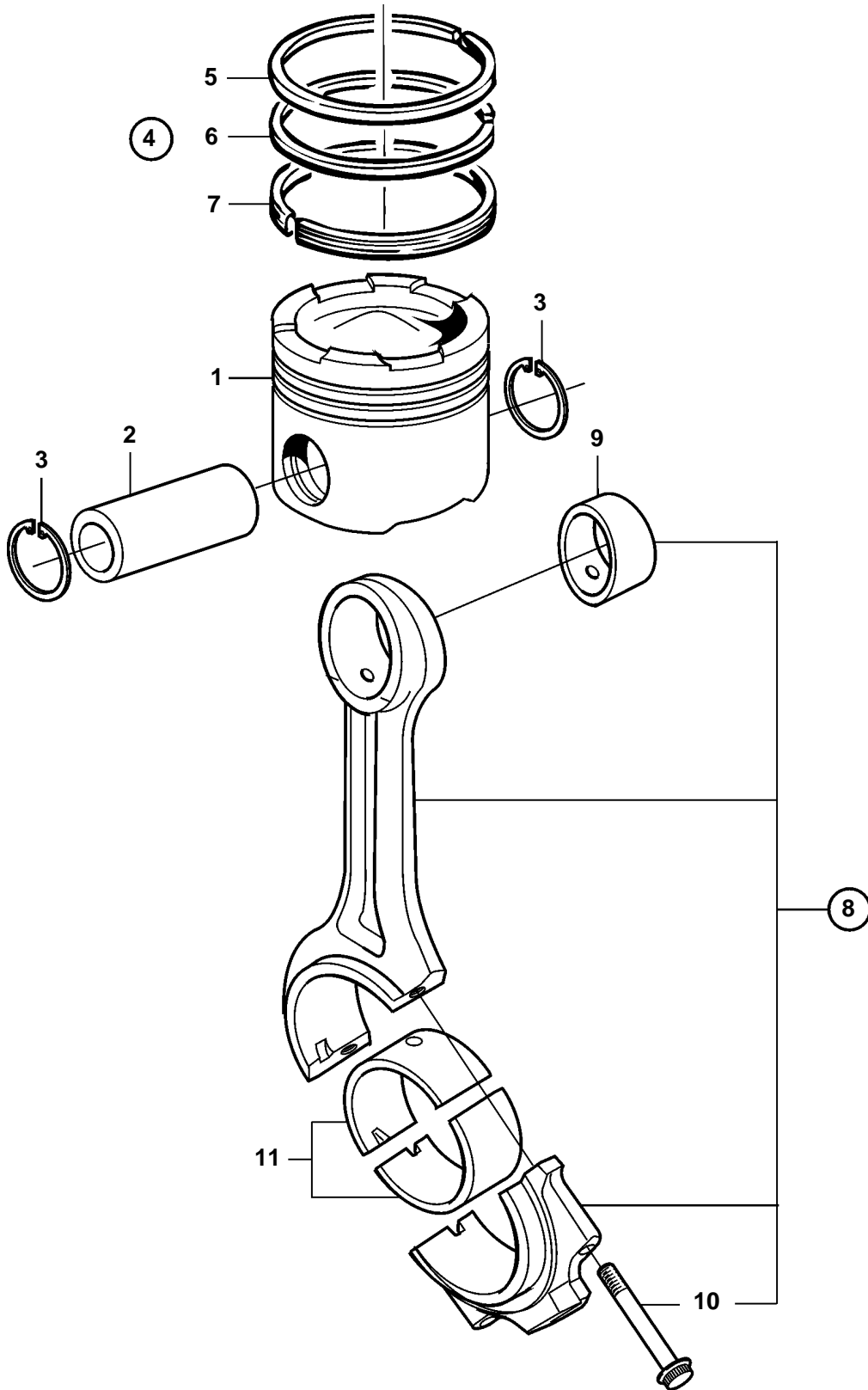


D65A-MT AUX, D65A-MS AUX



**D65A-MT AUX, D65A-MS AUX**

REF	PART NO.	QTY	DESCRIPTION	NOTES
1	3831779	16	Piston	
2	3835143	16	Piston pin	
3	3832300	32	Snap ring	
4	3835193	16	Piston ring kit	
5		16	· Compression ring	
6		16	· Compression ring	
7		16	· Sealing ring	
8	3835465	16	Connecting rod	STD
		16	Connecting rod	Class A=13,75kg
	3836352	16	Connecting rod	Class B=13,90kg
	3836353	16	Connecting rod	Class C=14,05kg
	3836354	16	Connecting rod	Class D=14,20kg
		16	Connecting rod	Class E=14,35kg
9	3835466	16	· Bushing	
10	3836322	32	· Connecting rod bolt	
11	3831781	32	Rod bearing	STD
	3833783	32	Rod bearing	U.S=0,25mm
	3833784	32	Rod bearing	U.S=0,50mm
	3833785	32	Rod bearing	U.S=0,75mm
	3833786	32	Rod bearing	U.S=1,00mm