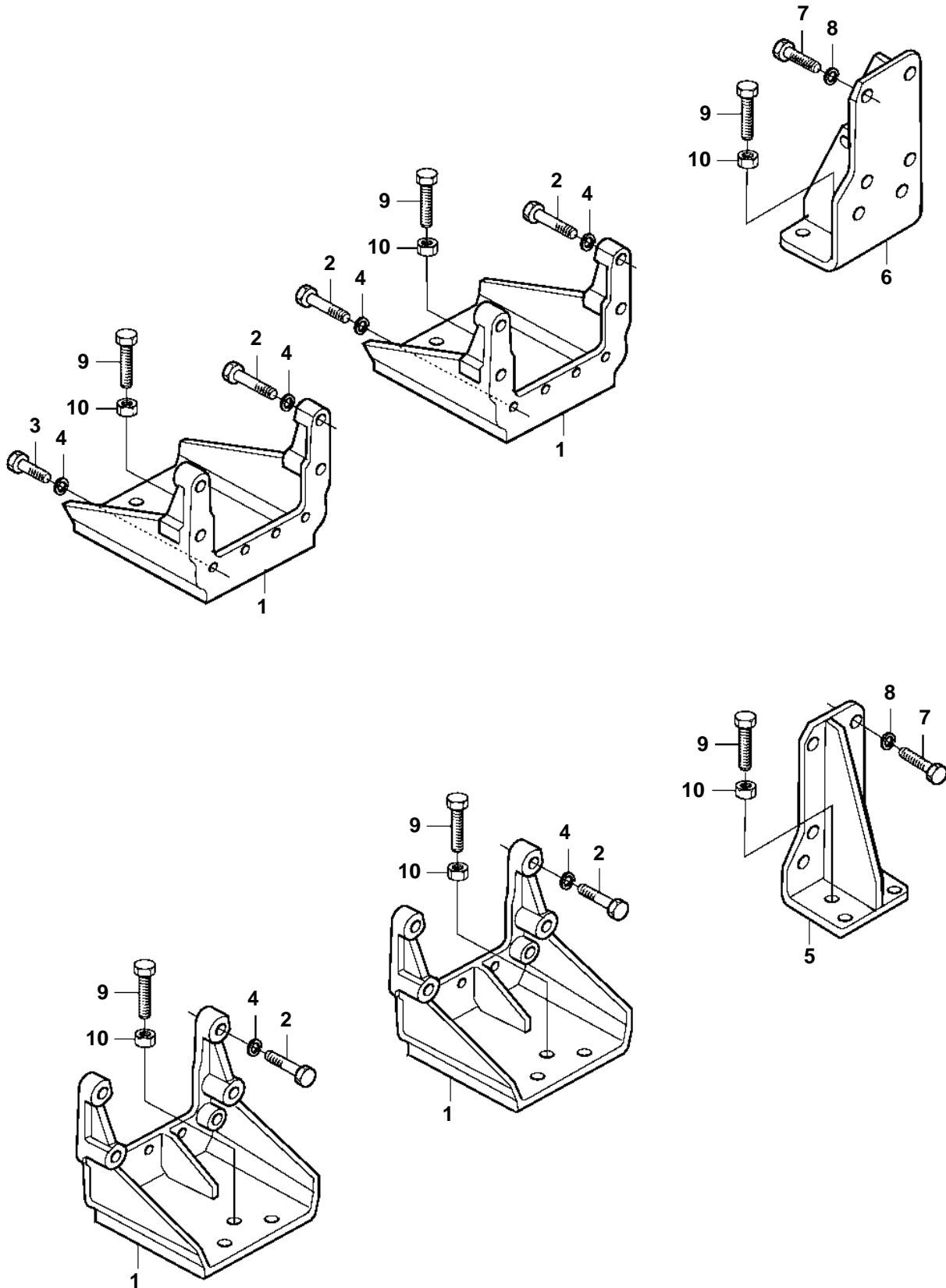


D65A-MT AUX, D65A-MS AUX



D65A-MT AUX, D65A-MS AUX

REF	PART NO.	QTY	DESCRIPTION	NOTES
1	3833057	4	Bracket, front	
2	3831570	15	Screw	
3	3831565	1	Screw	
4	3831802	16	Spring washer	
5	3833052	1	Bracket, rear	P
6	3833051	1	Bracket, rear	S.B
7	3831564	8	Screw	
8	3831802	8	Spring washer	
9	3832262	6	Screw	
10	3831746	6	Nut	