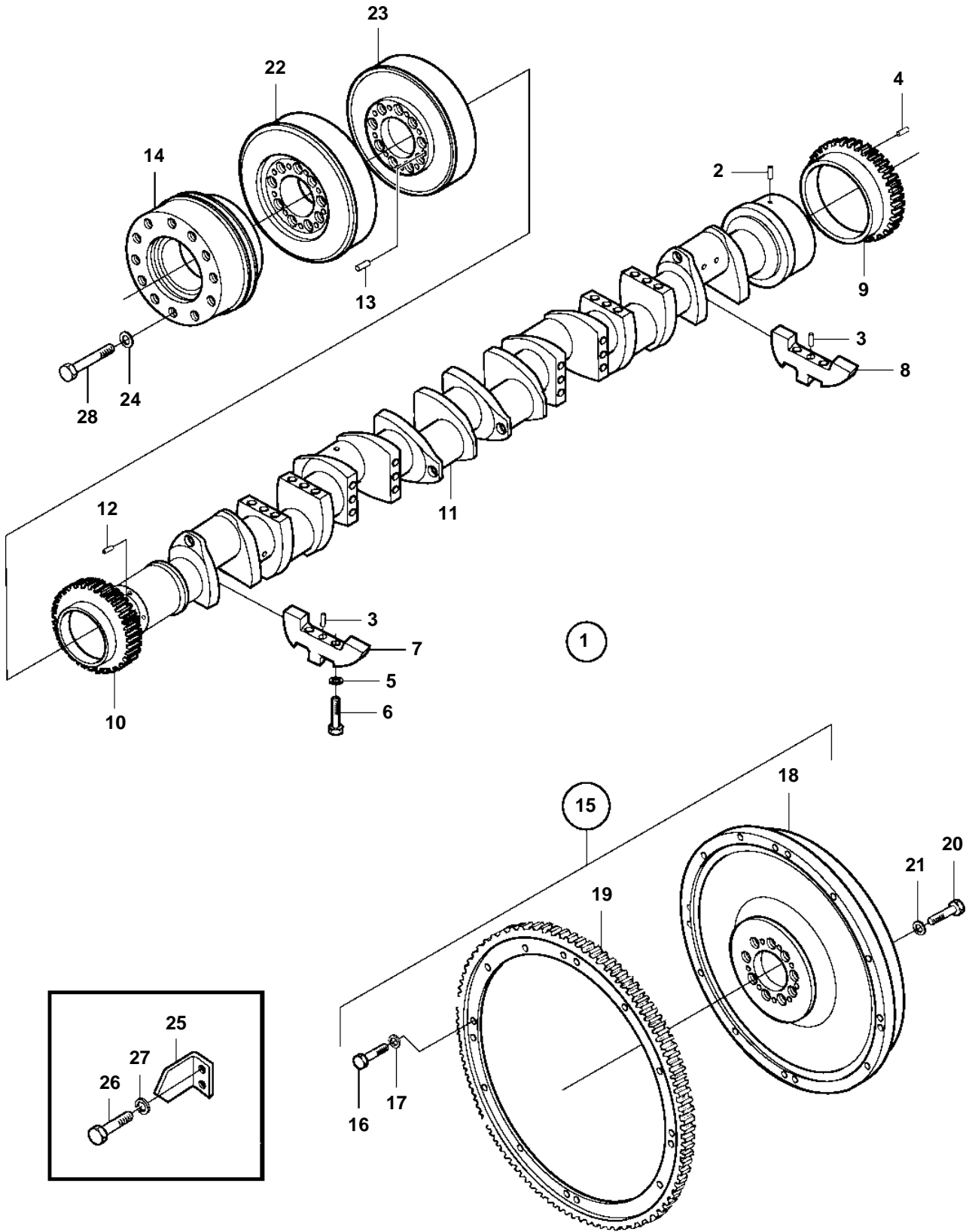


D65A-MT AUX, D65A-MS AUX



D65A-MT AUX, D65A-MS AUX

REF	PART NO.	QTY	DESCRIPTION
1	3839458	1	Crankshaft
2	3831811	1	· Pin
3	3831839	16	· Pin
4	3833967	2	· Pin
5	3831670	32	· Washer
6	3832252	32	· Screw
7		15	· Weight
8		1	· Weight
9	3833587	1	· Crankshaft gear
10	3839457	1	· Crankshaft gear
11		1	· Crankshaft
12	3831839	2	Pin
13	3833974	2	Pin
14	3836737	1	Pulley
15	3833498	1	Flywheel
16	3832049	12	· Screw
17	3832233	12	· Spring washer
18		1	· Flywheel
19	3833602	1	· Drive gear
20	3831571	12	Screw
21	3831670	12	Washer
22	3836724	1	Vibration damper, front
23	3833421	1	Vibration damper, rear
24	3831670	8	Washer
25	3834291	1	Setting indicator
26	3832042	2	Screw
27	3832233	2	Spring washer
28	3831573	8	Screw