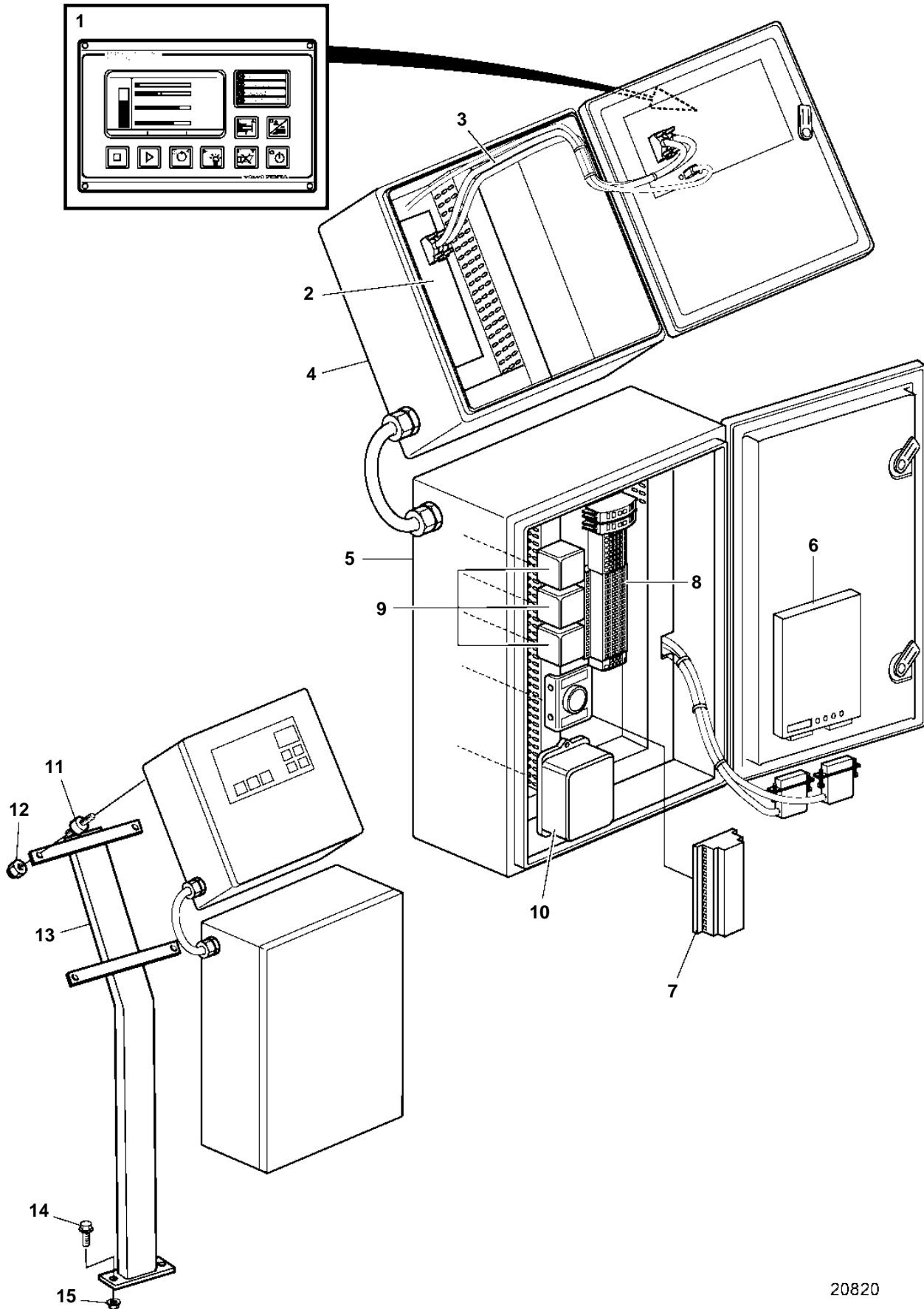


D65A-MT AUX, D65A-MS AUX



20820

D65A-MT AUX, D65A-MS AUX

REF	PART NO.	QTY	DESCRIPTION	NOTES
1	874161	1	Electronic unit	
2	874162	1	Terminal	
3	874163	2	Wiring harness	
4	3830520	1	Box	
5		1	Coupling box	
6	881661	1	Electronic unit	
7	881905	1	Electronic unit	
8	881886	1	Terminal block	
9	881885	1	Wiring harness, med relä	
10	881795	1	Wiring harness	SOCKET A
	881796	1	Wiring harness	SOCKET B
11	863415	4	Rubber cushion	
12	948645	8	Lock nut	
13	3807183	1	Bracket	
14	965193	2	Screw	
15	971099	2	Flange lock nut	