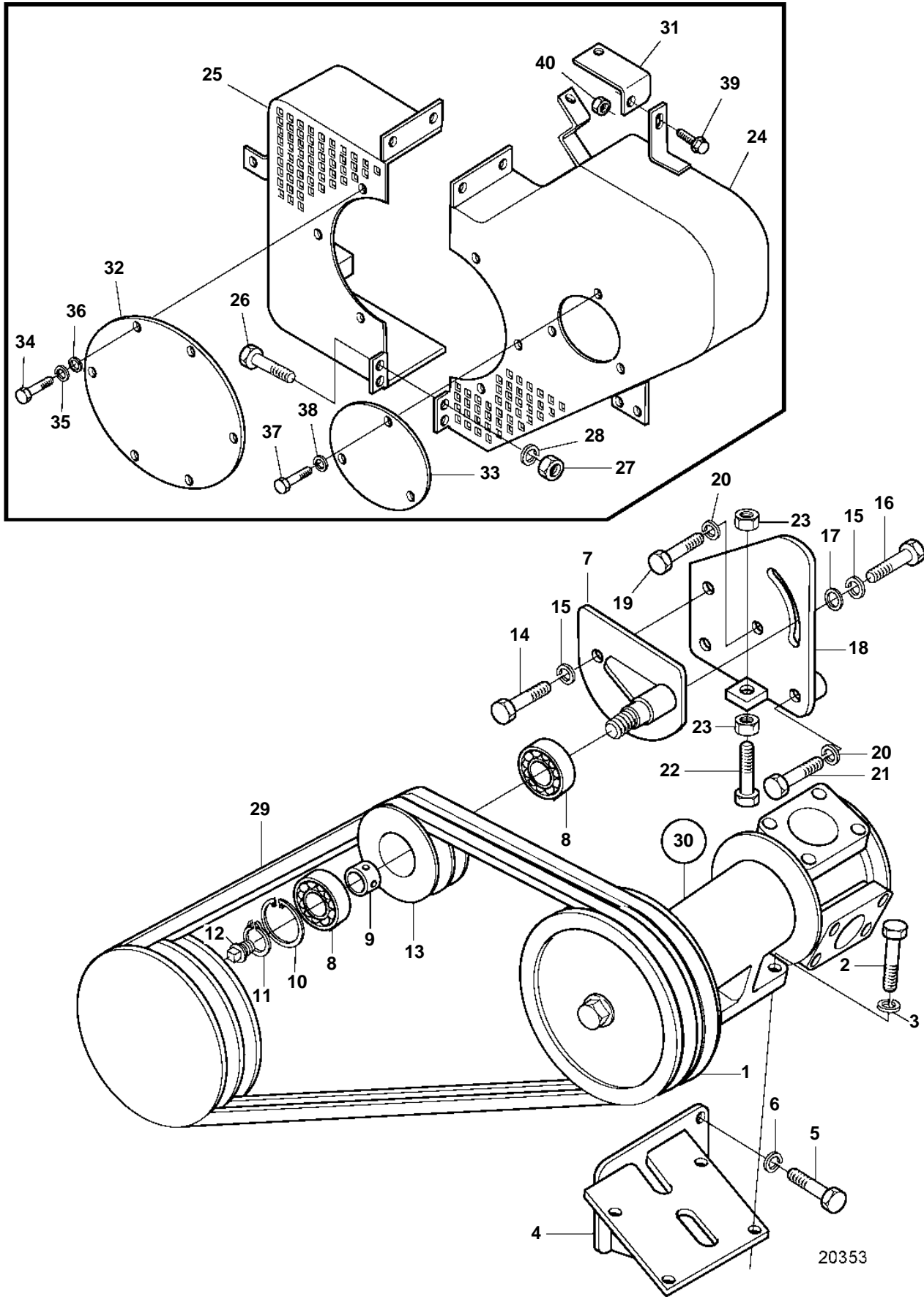


D65A-MT AUX



D65A-MT AUX

| REF | PART NO. | QTY | DESCRIPTION | SEE SEC. | NOTES |
|-----|----------|-----|-----------------------|----------|-----------|
| 1 | 3835699 | 1 | Pulley | | |
| 2 | 3837223 | 4 | Screw | | |
| 3 | 3832277 | 4 | Spring washer | | |
| 4 | 3835701 | 1 | Bracket | | |
| 5 | 3832063 | 4 | Screw | | |
| 6 | 3832245 | 4 | Spring washer | | |
| 7 | 3835702 | 1 | Bracket | | |
| 8 | 3835703 | 2 | Bearing | | |
| 9 | 3835707 | 1 | Spacer | | |
| 10 | 3835708 | 1 | Snap ring | | |
| 11 | 3832294 | 1 | Snap ring | | |
| 12 | 3832336 | 1 | Plug | | |
| 13 | 3835709 | 1 | Tension pulley | | |
| 14 | 3832063 | 1 | Screw | | |
| 15 | 3832245 | 3 | Spring washer | | |
| 16 | 3832066 | 1 | Screw | | |
| 17 | 3835710 | 1 | Washer | | |
| 18 | 3835704 | 1 | Bracket | | |
| 19 | 3835711 | 1 | Screw | | |
| 20 | 3832245 | 3 | Spring washer | | |
| 21 | 3835712 | 2 | Screw | | |
| 22 | 3835713 | 1 | Screw | | |
| 23 | 3832204 | 2 | Nut | | |
| 24 | 3838776 | 1 | Belt protector, left | | |
| 25 | 3835706 | 1 | Belt protector, right | | |
| 26 | 3832042 | 4 | Screw | | |
| 27 | 3832196 | 4 | Lock nut | | |
| 28 | 3832233 | 4 | Spring washer | | |
| 29 | 3837992 | 1 | V-belt | | |
| 30 | 3839464 | 1 | Sea water pump | | (3835715) |
| | | | | 4968 | |
| 31 | 3838777 | 1 | Stay | | |
| 32 | | 1 | Belt protector | | |
| 33 | 3838778 | 1 | Belt protector | | |
| 34 | 3835721 | 6 | Screw | | |
| 35 | 3832225 | 6 | Spring washer | | |
| 36 | 3831791 | 6 | Washer | | |
| 37 | 3835721 | 3 | Screw | | |
| 38 | 3832225 | 3 | Spring washer | | |
| 39 | | 1 | Screw | | |
| 40 | | 1 | Nut | | |