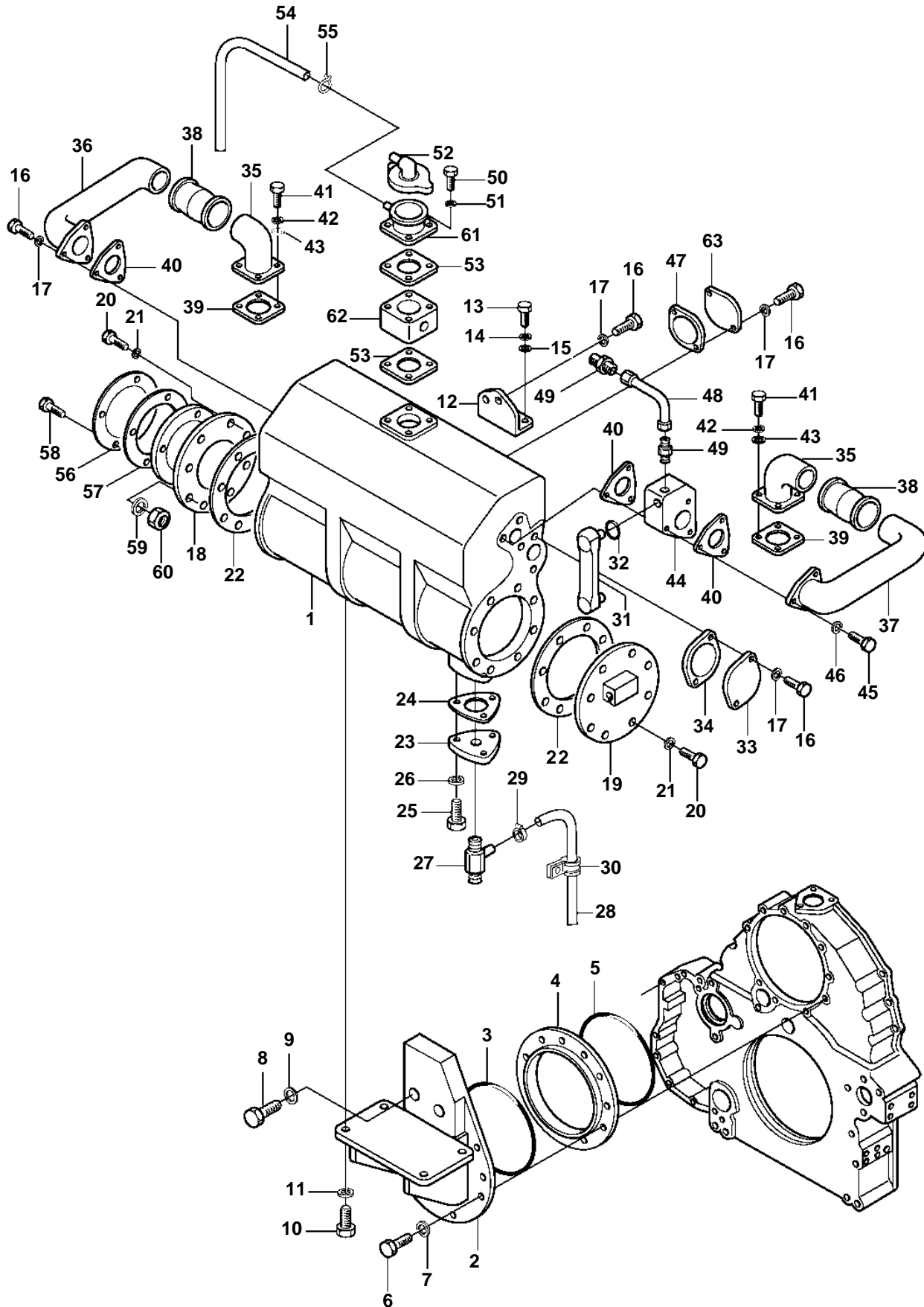


D65A-MT AUX



18535

D65A-MT AUX

REF	PART NO.	QTY	DESCRIPTION	NOTES
1	3835671	1	Expansion tank	
2	3835672	1	Bracket	
3	3835673	1	O-ring	
4	3835674	1	Spacer ring	
5	3835675	1	O-ring	
6	3832065	7	Screw	
7	3832245	7	Spring washer	
8	3832089	2	Screw	
9	3832218	2	Washer	
10	970970	4	Screw	
11	3832245	4	Spring washer	
12	3835678	1	Stay	
13	3832065	2	Screw	
14	3832245	2	Spring washer	
15	3832218	2	Washer	
16	3835726	9	Screw	
17	3832245	9	Spring washer	
18	3835680	1	Connector	
19	3835681	1	Cover	
20	970970	16	Screw	
21	3832245	16	Spring washer	
22	3835682	2	Gasket	
23	3835683	1	Cover	
24	3835684	1	Gasket	
25	3831575	3	Screw	
26	3832233	3	Spring washer	
27	3831636	1	Drain cock	
28	3835685	1	Tube	
29	3835686	1	Hose clamp	
30	3833190	2	Clip	
31	3835687	1	Gauge	
32	3831595	4	Sealing washer	
33	3831665	1	Cover	
34	3831639	1	Gasket	Replaced with 3838300 for contact to water and 3837677 for contact with lubricant.
35	3835688	2	Water pipe	
36	3835689	1	Water pipe, right	
37	3835690	1	Water pipe, left	
38	3833296	2	Clutch	
39	3833873	2	Gasket	
40	3835691	3	Gasket	
41	3832047	8	Screw	
42	3832233	8	Spring washer	
43	3832214	8	Washer	
44	3835692	1	Spacer	
45	3835693	3	Screw	
46	3832245	3	Spring washer	
47	3835694	1	Gasket	
48	3835695	1	Tube	
49	3832320	2	Connector	
50	3836446	4	Screw	
51	3832225	4	Spring washer	
52	3835697	1	Pressure cap	
53	3835698	2	Gasket	
54	3835234	1	Tube	
55	3832122	1	Clamp	
56	3833480	1	Flange	
57	3835642	1	Gasket	
58	3835648	4	Screw	
59	3832282	4	Spring washer	
60	3831743	4	Nut	
61	3835101	1	Filler neck	
62	3835925	1	Spacer	
63	3835926	1	Cover	