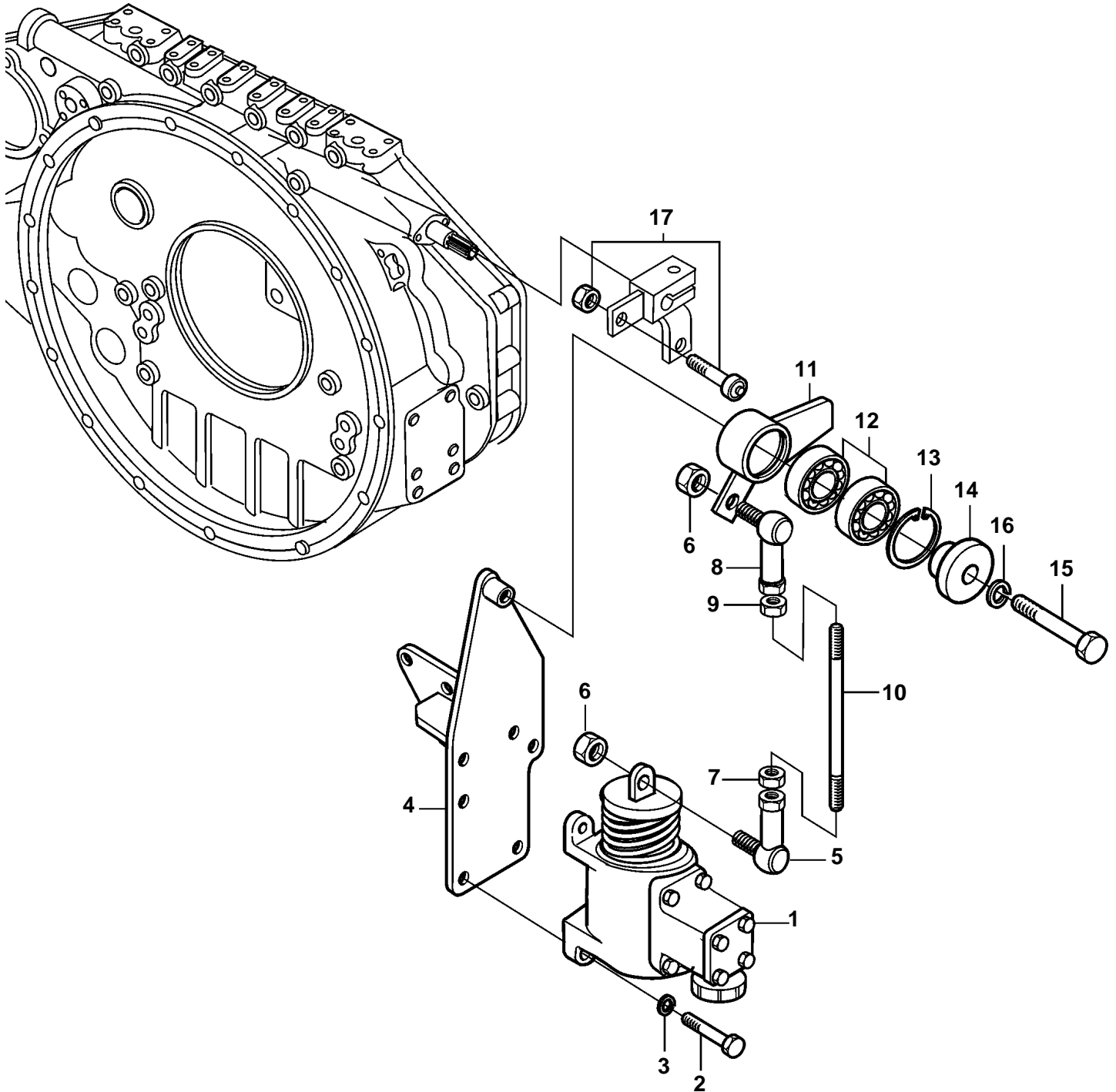


D65A-MT AUX, D65A-MS AUX



18589

D65A-MT AUX, D65A-MS AUX

| REF | PART NO. | QTY | DESCRIPTION |
|-----|----------|-----|---------------|
| 1 | 3831527 | 1 | Stop solenoid |
| 2 | 3831534 | 4 | Screw |
| 3 | 3832223 | 4 | Spring washer |
| 4 | 3835786 | 1 | Bracket |
| 5 | 3835078 | 1 | Ball joint |
| 6 | 3831582 | 2 | Lock nut |
| 7 | 3832190 | 1 | Lock nut |
| 8 | 3835079 | 1 | Ball joint |
| 9 | 3831611 | 1 | Lock nut |
| 10 | 3834378 | 1 | Rod |
| 11 | 3833723 | 1 | Lever |
| 12 | 3832347 | 2 | Bearing |
| 13 | 3832296 | 1 | Snap ring |
| 14 | 3831672 | 1 | End plate |
| 15 | 3835723 | 1 | Screw |
| 16 | 3832233 | 1 | Spring washer |
| 17 | 3831965 | 1 | Adjuster arm |