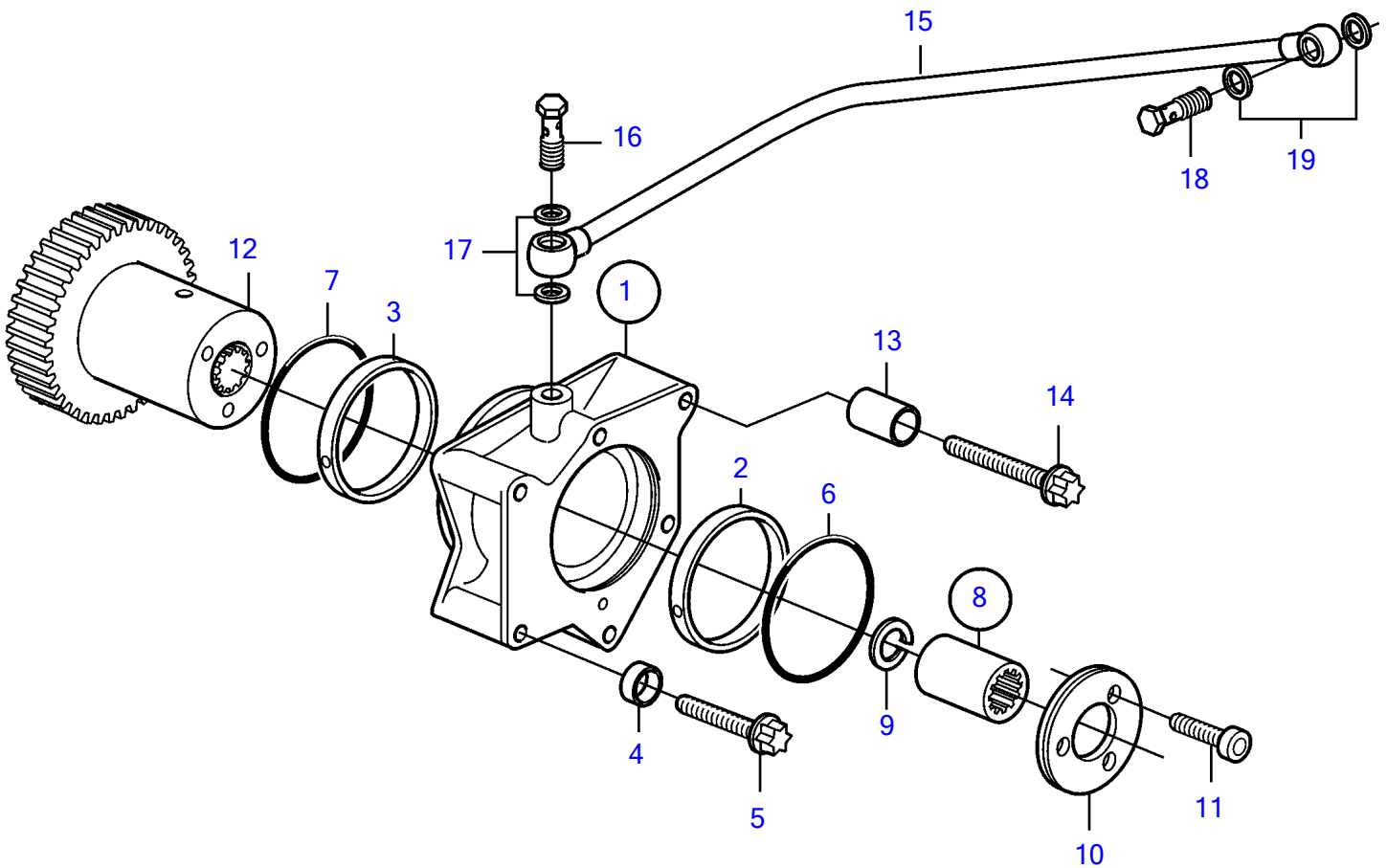


D5A-A T, D7A-A T, D5A-A TA, D7A-A TA, D5A-B TA, D5A-B TA, D5A-B TA, D7A-B TA, D7A-B TA, D7A-B TA



19320

D5A-A T, D7A-A T, D5A-A TA, D7A-A TA, D5A-B TA, D5A-B TA, D5A-B TA, D7A-B TA, D7A-B TA, D7A-B TA

REF	PART NO.	QTY	DESCRIPTION	NOTES
1	20460518	1	Bearing flange	PTO A, i=1: 1,116, below, to front.
2	20450809	1	• Bushing	
3	20450807	1	• Bushing	
4	20544299	2	Bushing	
5	20450820	2	Six point screw	SN-1099412
	21077470	2	Hex. socket screw	SN1099413-
6	20460524	1	O-ring	
7	20450818	1	O-ring	
8	20460520	1	Engaging sleeve	
9	20460522	1	• E-circlip	
10	20450811	1	Thrust washer	
11	20450822	3	Hex. socket screw	
12	20460519	1	Gear	Replaced by 20958540
	20958540	1	Gear	
13	20459936	2	Bushing	
14	20450821	2	Six point screw	
15	20450980	1	Oil line	
16	25167	1	Hollow screw	
17	947281	2	Gasket	
18	980973	1	Hollow screw	
19	969011	2	Gasket	