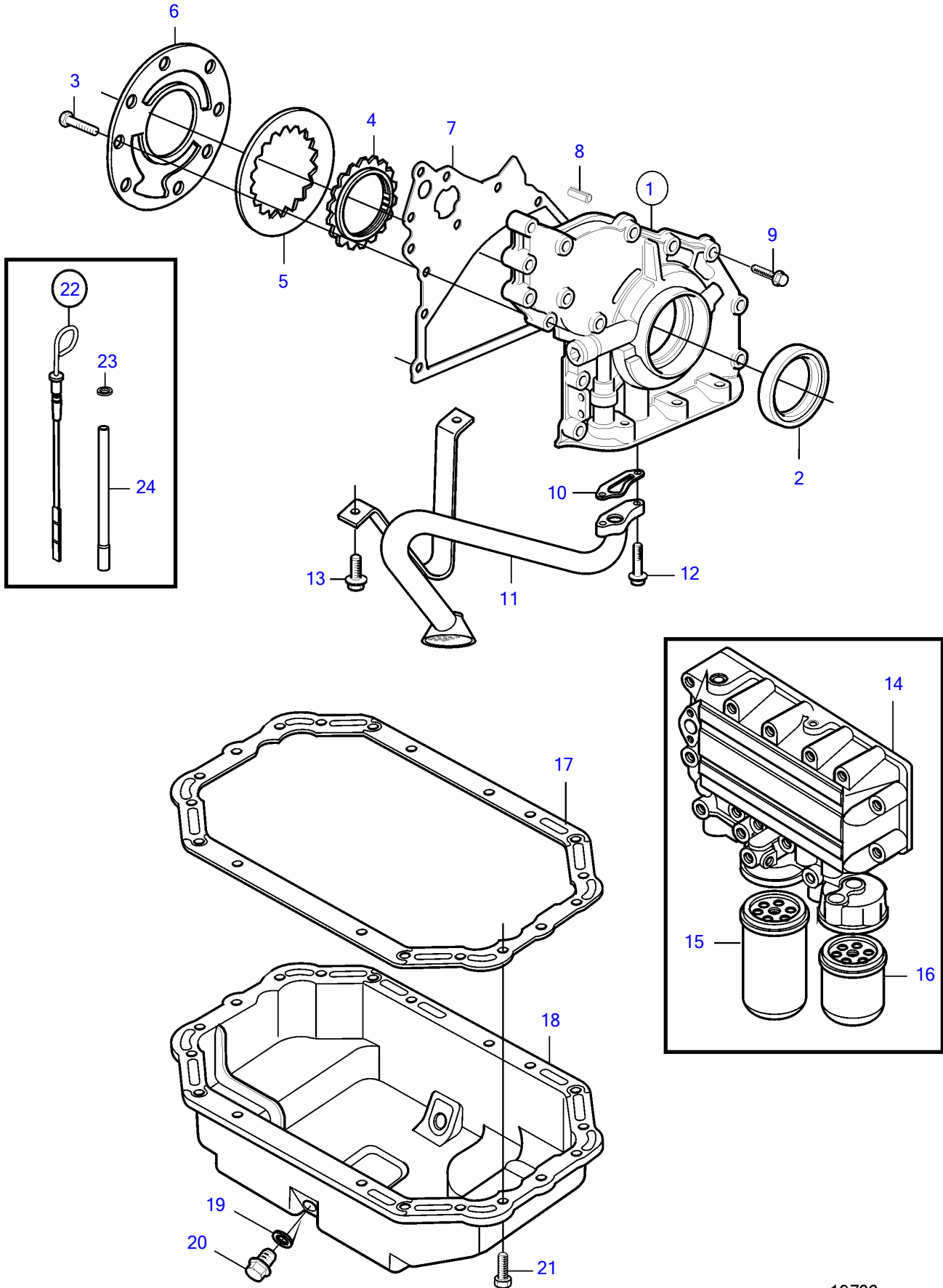


D7A-A T, D7A-A TA, D7A-B TA, D7A-B TA, D7A-B TA



D7A-A T, D7A-A TA, D7A-B TA, D7A-B TA, D7A-B TA

| REF | PART NO. | QTY | DESCRIPTION | SEE SEC. | NOTES |
|-----|----------|-----|---------------------|----------|-------------|
| 1 | 20515177 | 1 | Front cover | | SN-01098271 |
| | 20882047 | 1 | Front cover | | SN01098272- |
| 2 | 20412568 | 1 | • Lip seal | | |
| 3 | 20451738 | 8 | • Screw | | L=16mm |
| 4 | | 1 | • Pump unit, inner | | |
| 5 | | 1 | • Pump unit, outer | | |
| 6 | | 1 | Cover plate | | |
| 7 | 20742661 | 1 | Gasket | | |
| 8 | 20405603 | 1 | Spring pin | | |
| 9 | 20412324 | 14 | Screw | | L=35mm |
| 10 | 20405888 | | Gasket | | |
| 11 | 20450884 | 1 | Suction pipe | | |
| 12 | 945444 | 2 | Flange screw | | L=25mm |
| 13 | 20405792 | 2 | Screw | | L=16mm |
| 14 | | 1 | Oil cooler, housing | | |
| | | | • | | |
| | | | • | 6419 | |
| 15 | 3831236 | 1 | Oil filter | | |
| 16 | | 1 | Fuel filter | 6395 | |
| 17 | 20405915 | 1 | Gasket | | |
| 18 | 20412345 | 1 | Oil pan | | |
| 19 | 11998 | 2 | Gasket | | |
| 20 | 20405506 | 2 | Plug | | |
| 21 | 20405792 | 34 | Screw | | L=16mm |
| 22 | 20405838 | 1 | Dipstick | | |
| 23 | 20412343 | 1 | • Sealing ring | | |
| 24 | 20405644 | 1 | Guide tube | | |