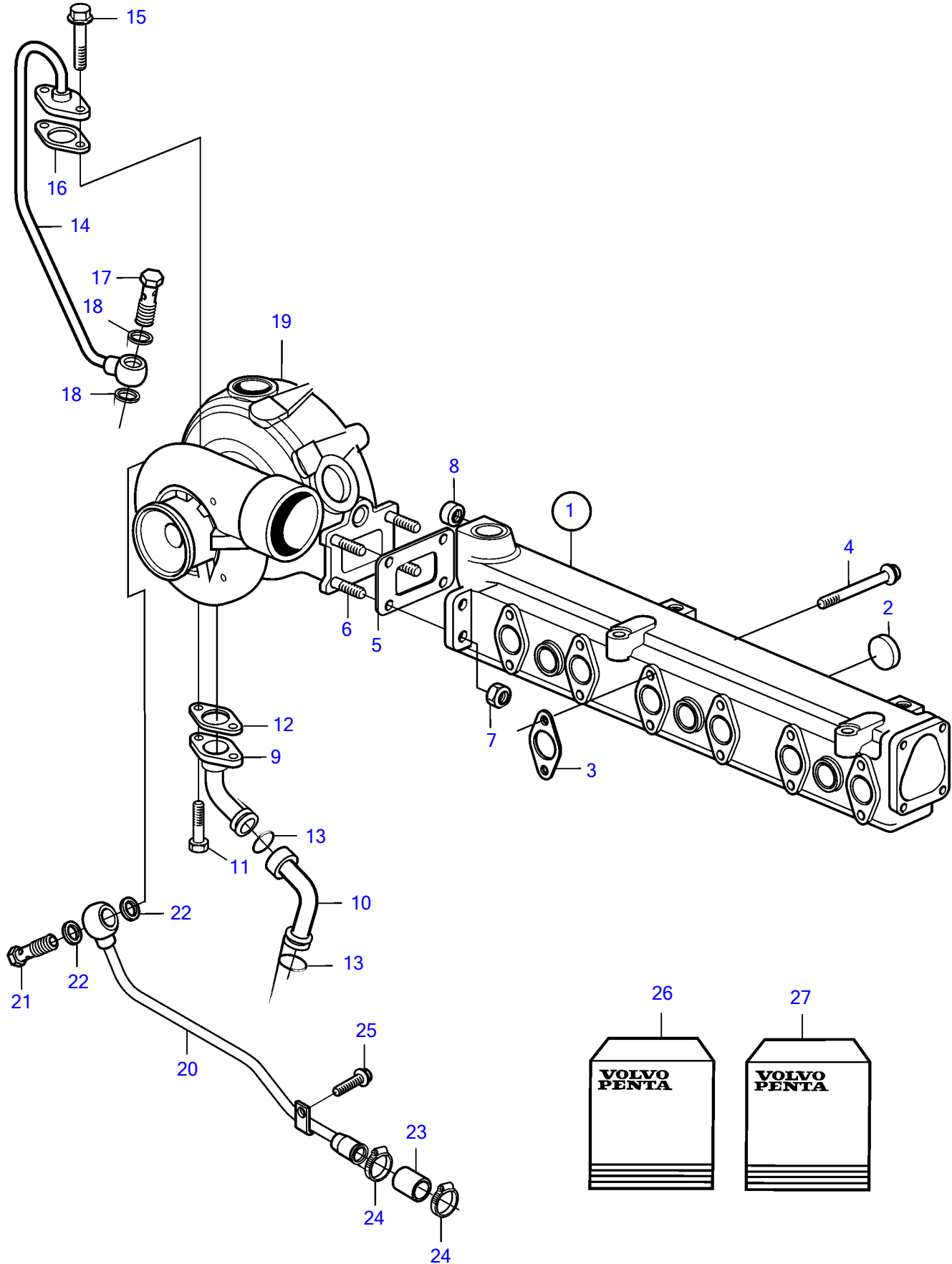


D7A-A T



D7A-A T

| REF | PART NO. | QTY | DESCRIPTION | NOTES |
|-----|-----------|-----|-------------------------------|-----------------------------|
| 1 | 3587175 | 1 | Exhaust manifold | |
| 2 | 20412745 | 10 | • Cap plug | |
| 3 | 20557208 | 6 | Gasket | |
| 4 | 888783 | 12 | Hexagon screw | |
| 5 | 888784 | 1 | Gasket | |
| 6 | 888785 | 4 | Stud | |
| 7 | 20412308 | 4 | Hexagon nut | |
| 8 | 888786 | 1 | Sealing ring | |
| 9 | 888730 | 1 | Return line | |
| 10 | 888731 | 1 | Return line | |
| 11 | 946173 | 2 | Flange screw | |
| 12 | 20405790 | 1 | Gasket | |
| 13 | 20405822 | 2 | O-ring | |
| 14 | 888744 | 1 | Oil line | |
| 15 | 946173 | 2 | Flange screw | |
| 16 | 20405595 | 1 | Gasket | |
| 17 | 25167 | 1 | Hollow screw | |
| 18 | 969011 | 2 | Gasket | |
| 19 | | 1 | Turbocharger | |
| | 3802175 | 1 | Turbocharger, exch | |
| | 3802175 | 1 | Turbocharger | |
| | | | • parts not sold separately | |
| 20 | 888815 | 1 | Water pipe | |
| 21 | 20460398 | 1 | Hollow screw | |
| 22 | 947628 | 1 | Gasket | |
| 23 | 888816 | 1 | Rubber sleeve | |
| 24 | 853548 | 2 | Hose clamp | |
| 25 | 20405792 | 1 | Screw | |
| 26 | (3842146) | 1 | Gasket kit, inlet/exhaust | See group 99, Obsolete part |
| 27 | (3842150) | 1 | Gasket kit, connection, turbo | See group 99, Obsolete part |