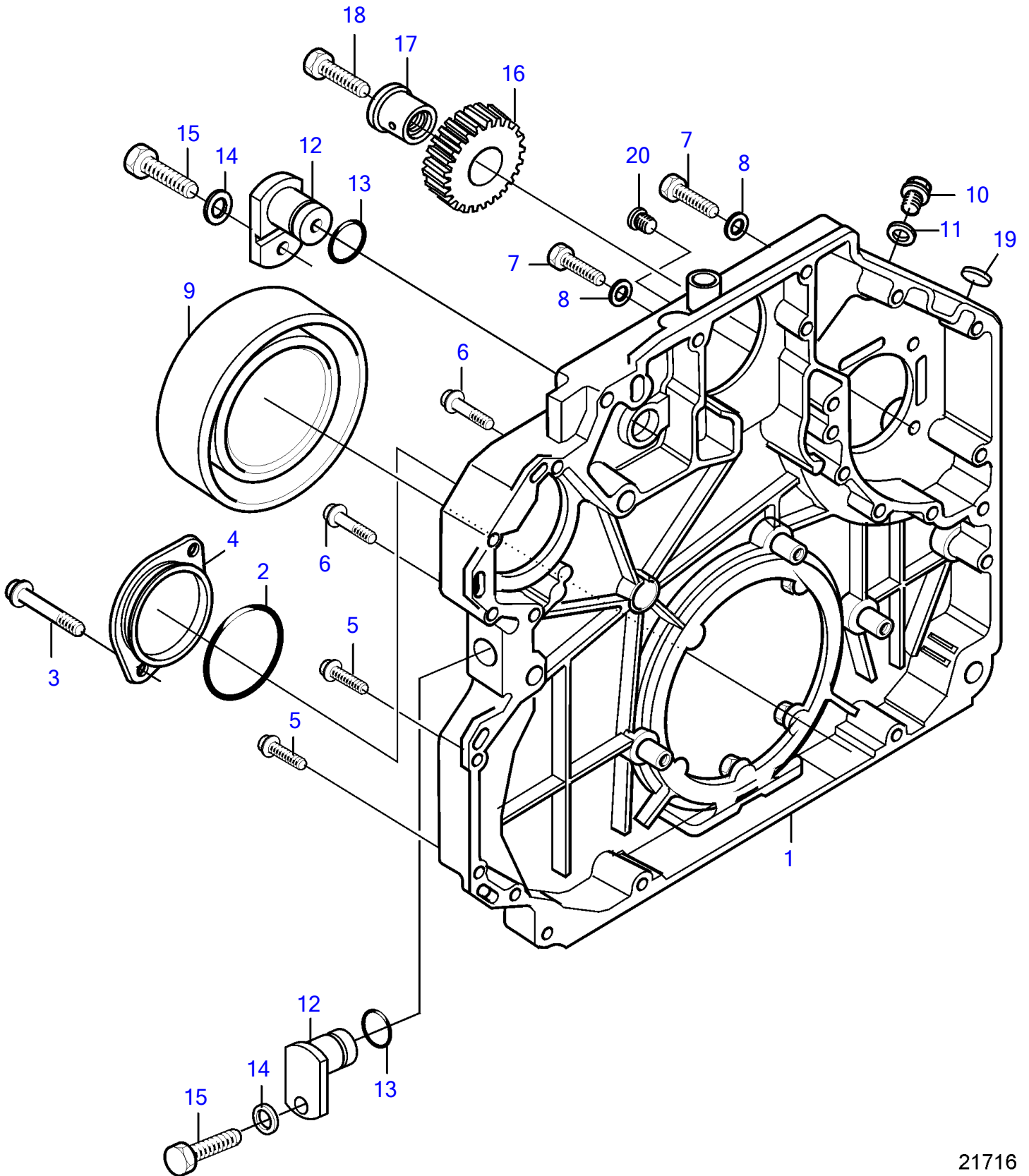


D5A-A T, D7A-A T, D5A-A TA, D7A-A TA, D5A-B TA, D5A-B TA, D5A-B TA, D7A-B TA, D7A-B TA, D7A-B TA



21716

D5A-A T, D7A-A T, D5A-A TA, D7A-A TA, D5A-B TA, D5A-B TA, D5A-B TA, D7A-B TA, D7A-B TA, D7A-B TA

REF	PART NO.	QTY	DESCRIPTION	NOTES
1	20405735	1	Timing gear cover	Part has a unique replacement. The new part may be used in any case. The old part may only used for engines that were org. eq. with this part., SN-8180877
	20743680	1	Timing gear cover	(20405735)
	20592784	1	Housing	SN8180878-
2	20405652	1	O-ring	
3	20460508	2	Six point screw	
4	20706651	1	Cover	SN-01099468
	20950063	1	Cover	SN01099469-
5	20412324	12	Screw	
6	965216	7	Flange screw	
7	20405653	2	Screw	
8	976944	2	Washer	
9	20412286	1	Lip seal	
10	960630	1	Plug	
11	969011	1	Gasket	
12	20405553	2	Plug	
13	20459904	2	O-ring	
14	973494	2	Washer	
15	20405706	2	Screw	
16	20555503	1	Idler gear	
17	20758272	1	Pivot pin	
18	20405560	1	Screw	
19	20405605	1	Plug	
20	20450795	1	Set screw, set screw	Prepared with locking fluid.