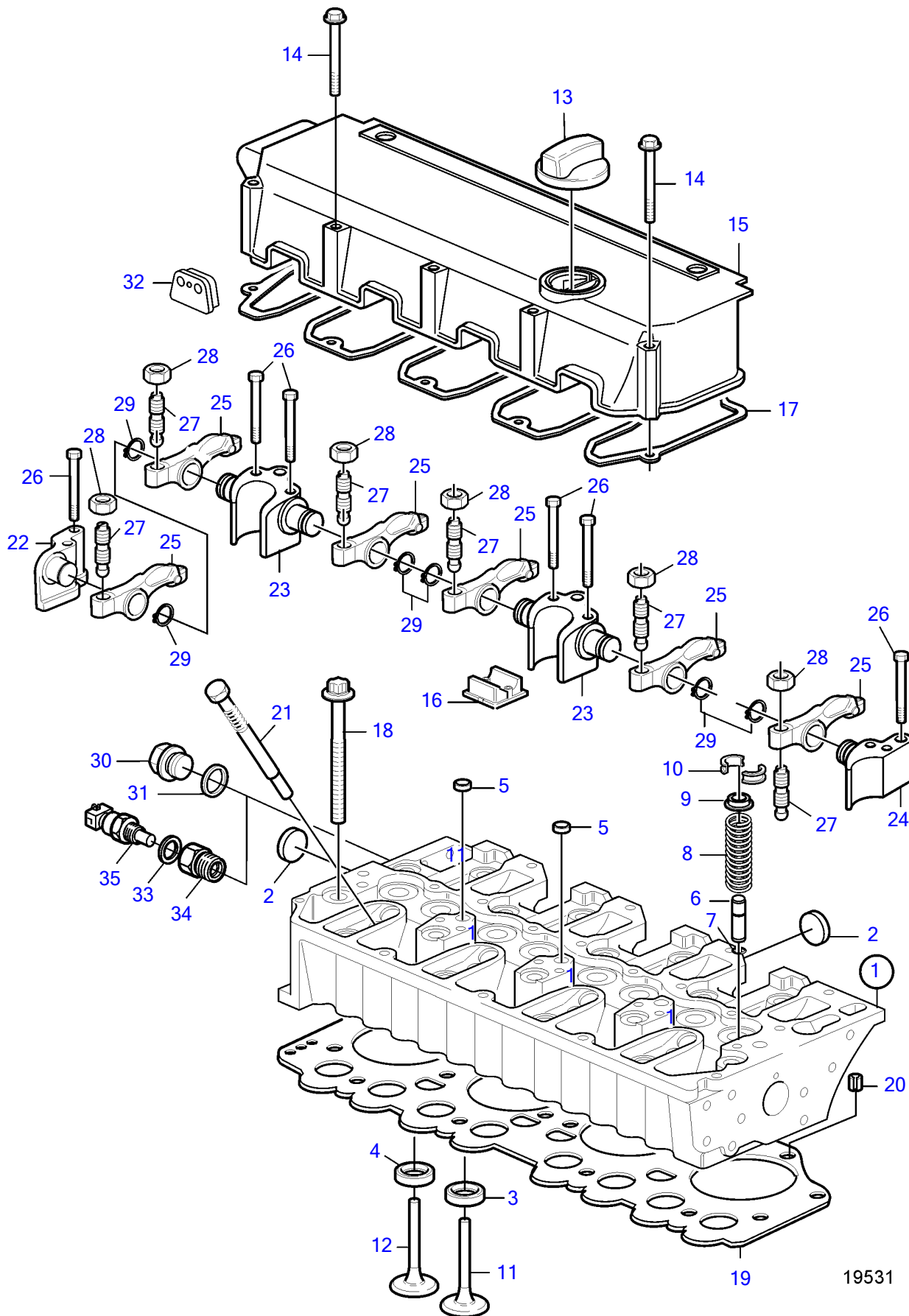


D5A-A T, D5A-A TA, D5A-B TA, D5A-B TA, D5A-B TA



19531

D5A-A T, D5A-A TA, D5A-B TA, D5A-B TA, D5A-B TA

REF	PART NO.	QTY	DESCRIPTION	SEE SEC.	NOTES
1	3803988	1	Cylinder head		(20405500)
2	20412745	3	• Cap plug		
3	20459962	4	• Valve seat, intake		
4	20459963	4	• Valve seat, exhaust		
5	20412733	3	• Cap plug		
6	20405897	8	• Valve guide		Replaced by 21344665.
7	976013	8	• O-ring		
8	11700347	8	• Compression spring		
9	11700346	8	• Washer		
10	11700345	16	• Collet		
11	20714469	4	• Inlet valve, intake		
12	20565912	4	• Exhaust valve, exhaust		
13	20412589	1	Filler cap		
14	20412601	9	Flange screw		
15	20412587	1	Valve cover		When replacing the valve cover gasket is only earlier prod. in combination with earlier prod. valve cover permitted., SN-08180877
	20725337	1	Valve cover		Metal gasket only for valve cover: 20725337, SN08180878-
16	20412590	1	• Cover		
17	20412588	1	Gasket		When replacing the valve cover gasket is only earlier prod. in combination with earlier prod. valve cover permitted., SN-08180877
	20725315	1	Gasket		Metal gasket only for valve cover: 20725337, SN08180878-
18	11700334	18	Screw		
19	11700335	1	Cylinder head gasket		TH=1,54mm, One dot
	11700336	1	Cylinder head gasket		TH=1,64mm, Two dots
	11700337	1	Cylinder head gasket		TH=1,74mm, Three dots
20	20405521	2	Spring pin		
21	20405895	4	Plug		
22	11700369	1	Bracket		
23	11700368	3	Bracket		
24	11700367	1	Bracket		
25	11700370	8	Rocker arm		
26	11700374	10	Screw		
27	20405524	8	Screw		
28	11700373	8	Hexagon nut		
29	945495	8	Snap ring		
30	20464451	1	Plug		
31	947628	1	Gasket		
32	888770	4	Sealing ring		
33	993784	1	Gasket		
34	3587775	1	Adapter		
35			thermo monitor	6559	