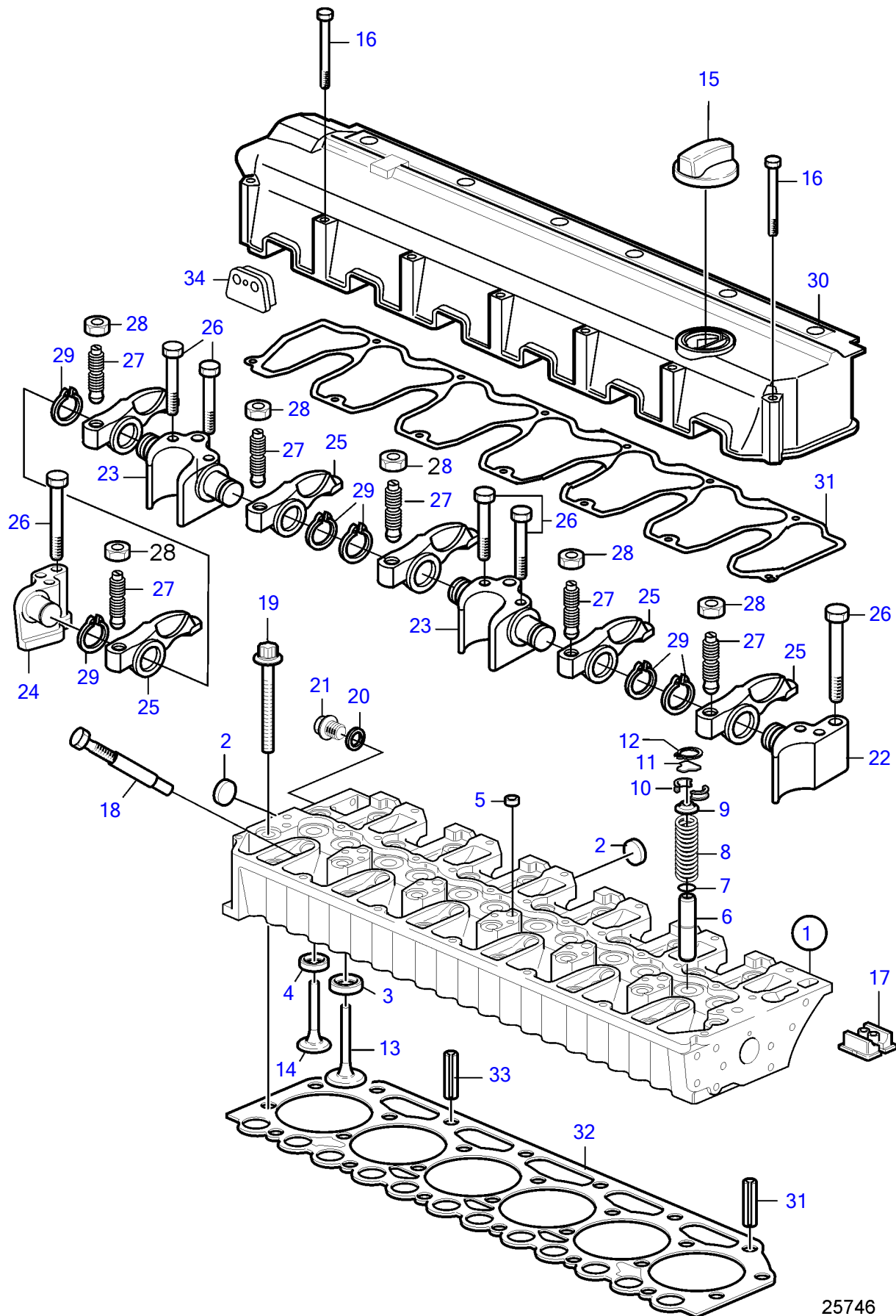


D7A-B TA



25746

Upd:2012-02-23

25746

7745950-21-6158

D7A-B TA

REF	PART NO.	QTY	DESCRIPTION	NOTES
1	3801397	1	Cylinder head	
2	20412745	5	• Cap plug	
3	20459962	6	• Valve seat, intake	
4	20459963	6	• Valve seat, exhaust	
5	20412733	5	• Cap plug	
6	20405897	12	• Valve guide	
7	976013	12	• O-ring	
8	11700347	12	• Compression spring	
9	20847155	12	• Retainer	
10	11700345	24	• Collet	
11	20840807	12	• Thrust washer	
12	20840772	12	• Snap ring	
13	20758481	6	• Inlet valve	
14	20755883	6	• Exhaust valve	
15	20412589	1	Filler cap	
16	20412601	13	Flange screw	
17	20412600	1	Cover	
18	20405895	6	Plug	
19	11700334	26	Screw	
20	947628	2	Gasket	
21	20464451	1	Plug	
22	11700367	1	Bracket	
23	11700368	2	Bracket	
24	11700369	1	Bracket	
25	11700370	12	Rocker arm	
26	11700374	14	Screw	
27	20405524	12	Screw	
28	11700373	12	Hexagon nut	
29	945495	12	Snap ring	
30	20412599	1	Valve cover	Use only with gasket 20412597, SN-01098545
	20725338	1	Valve cover	Use only with gasket 20725316, SN01098546-
31	20412597	1	Gasket	Only for 20412599, SN-01098545
	20725316	1	Gasket	Only for 20725338, SN01098546-
32	20405900	1	Cylinder head gasket	TH=1,54mm, One dot
	20405901	1	Cylinder head gasket	TH=1,64mm, Two dots
	20405902	1	Cylinder head gasket	TH=1,74mm, Three dots
33	20405521	2	Spring pin	
34	888770	6	Sealing ring	