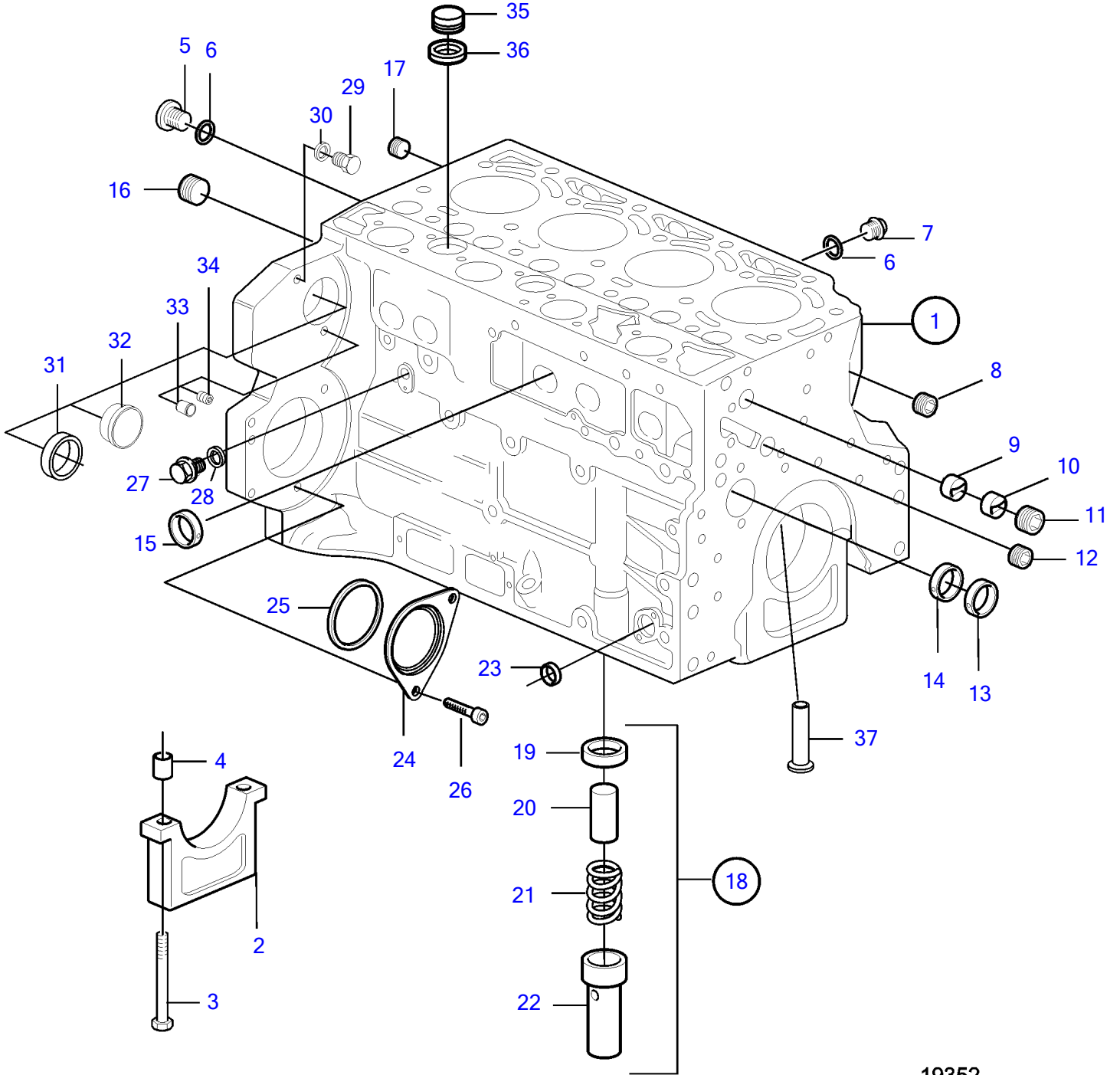


D5A-A T, D5A-A TA, D5A-B TA, D5A-B TA, D5A-B TA



19352

D5A-A T, D5A-A TA, D5A-B TA, D5A-B TA, D5A-B TA

REF	PART NO.	QTY	DESCRIPTION	NOTES
1	20405979	1	Crankcase	Part has a unique replacement. The new part may be used in any case. The old part may only used for engines that were org. eq. with this part., Delivered with cylinder liner., SN-782200
	20555444	1	Crankcase	Delivered with cylinder liner., SN782201-
2		5	• Main bearing cap	
3	20405583	10	• Flange screw	
4	11700278	10	• Bushing	
5	945065	2	• Plug	M14
6	969011	4	• Gasket	
7	20405716	1	• Plug	M14
8	20405718	1	• Plug	M14
9	20405906	1	• Guide sleeve	
10	20405584	1	• Guide sleeve	
11	20405717	1	• Plug	M30
12	20405719	1	• Plug	M22
13	11700284	6	• Bushing	
14	11700285	1	• Bushing	
15	20405721	6	• Cap plug	A45
16	20405718	1	• Plug	M14
17	20405722	1	• Plug	M22
18	11700271	1	Delivery valve	
19	20405904	1	• Ring	
20	20405936	1	• Valve	
21	20405896	1	• Compression spring	
22	20405937	1	• Sleeve	
23	20412745	1	Cap plug	A36
24	24426064	1	Cover	
25	20412359	1	O-ring	
26	888289	2	Hexagon screw	L=20mm
27	20405716	1	Plug	M14
28	969011	1	Gasket	
29	20441859	2	Plug, screw plug	
30	947281	2	Gasket	
31	20450778	1	Core plug	
32	20464563	1	Plug	
33	20464561	1	Plug	
34	20459970	1	Set screw, set screw	L=15mm
35	20758137	1	Plug	Without stop solenoid.
36	20405728	1	Sealing ring	
37	20405561	4	Jet, piston cooling	

7745950-21-9918

19352

Upd:2012-02-23

D5A-A T, D7A-A T, D5A-A TA, D7A-A TA, D5A-B TA, D7A-B TA