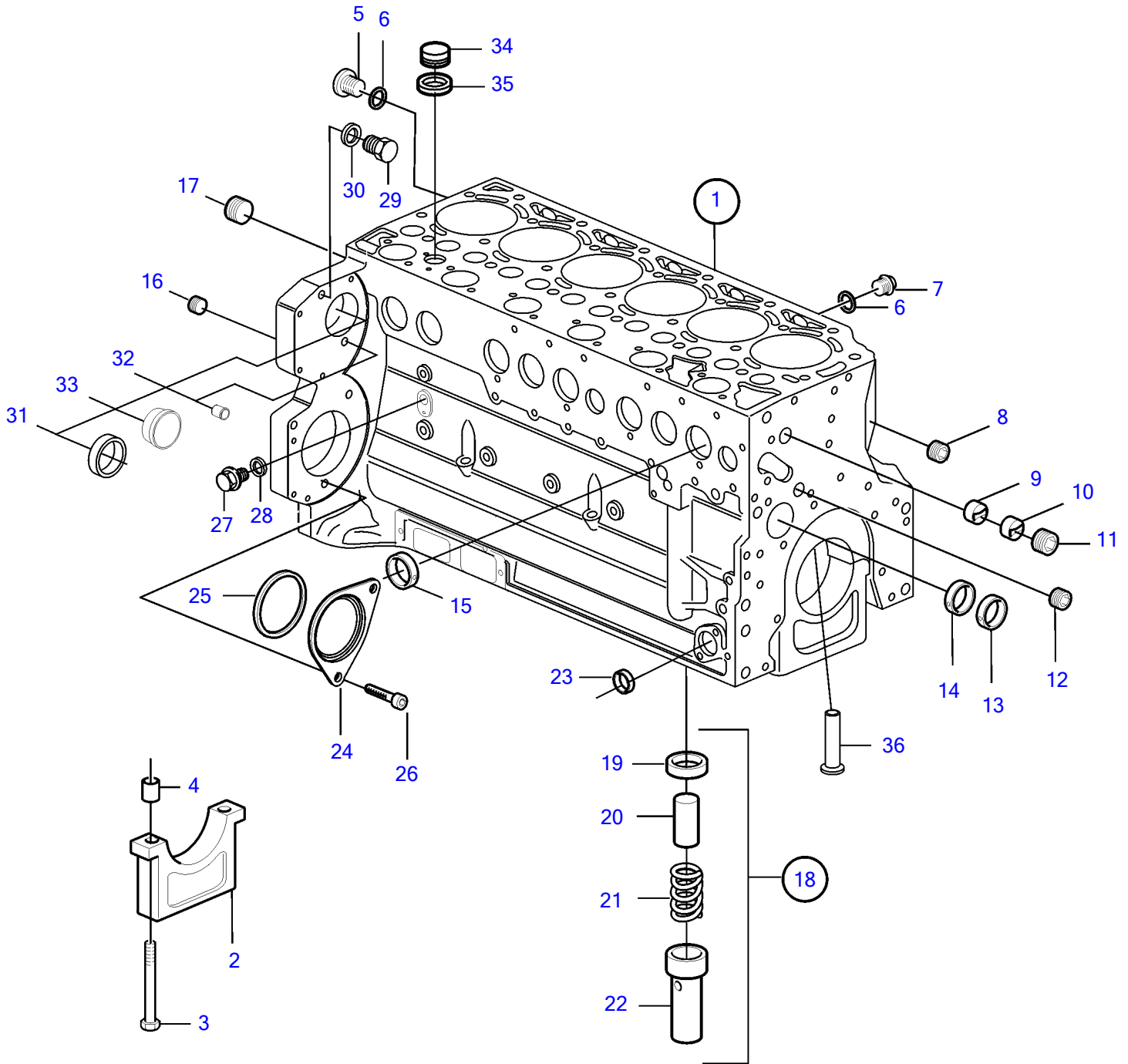


D7A-A T, D7A-A TA, D7A-B TA, D7A-B TA



19135

D7A-A T, D7A-A TA, D7A-B TA, D7A-B TA

REF	PART NO.	QTY	DESCRIPTION	NOTES
1	20405980	1	Cylinder	Part has a unique replacement. The new part may be used in any case. The old part may only used for engines that were org. eq. with this part., Delivered with cylinder liner., SN-780660
	20537914	1	Cylinder block	Delivered with cylinder liner., SN780661-
2		7	• Main bearing cap	
3	20405583	14	• Flange screw	
4	11700278	14	• Bushing	
5	945065	2	• Plug	
6	969011	4	• Gasket	
7	20405716	1	• Plug	
8	20405718	1	• Plug	
9	20405906	1	• Guide sleeve	
10	20405584	1	• Guide sleeve	
11	20405717	1	• Plug	
12	20405719	10	• Plug	
13	11700284	6	• Bushing	
14	11700285	1	• Bushing	
15	20405721	10	• Cap plug	
16	20405718	1	• Plug	
17	20405722	1	• Plug	
18	11700271	1	Delivery valve	
19	20405904	1	• Ring	
20	20405936	1	• Valve	
21	20405896	1	• Compression spring	
22	20405937	1	• Sleeve	
23	20412745	1	Cap plug	
24	24426064	1	Cover	
25	20412359	1	O-ring	
26	975108	2	Flange screw	
27	20405716	1	Plug	
28	969011	1	Gasket	
29	20441859	2	Plug, screw plug	
30	947281	2	Gasket	
31	20450778	1	Core plug	
32	20464561	1	Plug	
33	20464563	1	Plug	
34	20758137	1	Plug	Without stop solenoid.
35	20405728	1	Sealing ring	
36	20405561	6	Jet, piston cooling	