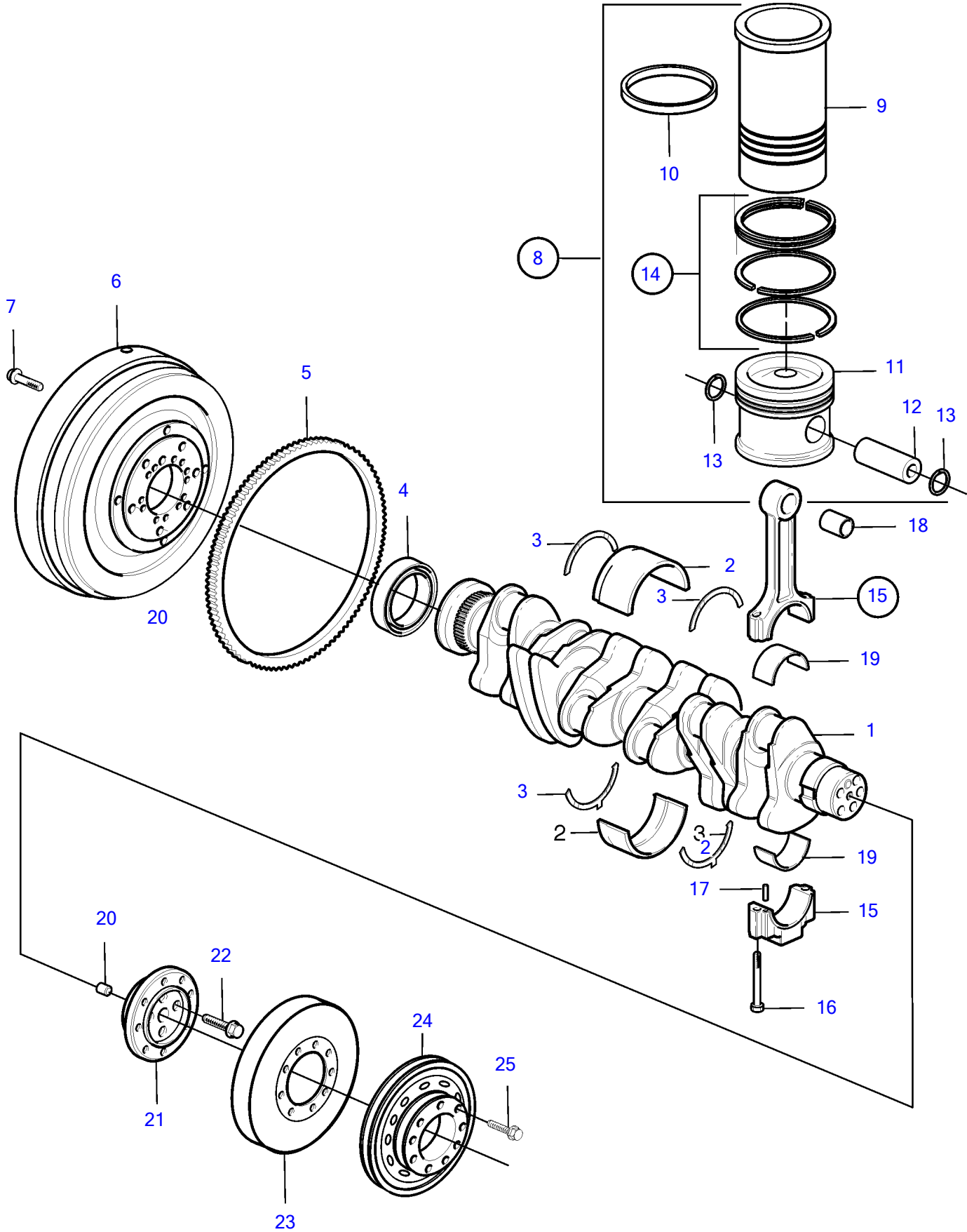


D7A-A T, D7A-A TA



## D7A-A T, D7A-A TA

REF	PART NO.	QTY	DESCRIPTION	NOTES
1	20412323	1	Crankshaft	Part has a unique replacement. The new part may be used in any case. The old part may only used for engines that were org. eq. with this part., SN-01064129
	20724015	1	Crankshaft	Part has a unique replacement. The new part may be used in any case. The old part may only used for engines that were org. eq. with this part., SN-01099467
	20790461	1	Crankshaft	Part has a unique replacement. The new part may be used in any case. The old part may only used for engines that were org. eq. with this part., SN-01099468
	21245957	1	Crankshaft	SN01099469-
2	21141948	7	Main bearing	Std
	20405529	7	Main bearing	U.S=0,25mm
	21234191	7	Main bearing	U.S=0,25mm, SN10594935-
	20405541	7	Main bearing	U.S=0.50mm
3	20405899	2	Thrust washer kit	Std
	11700315	2	Thrust washer kit	O.S=0.20mm (3.1mm)
4	20412286	1	Lip seal, crankshaft seal	
5		1	Gear ring	
6		1	Flywheel	
7		10	Screw	
8	877337	6	Cylinder liner kit	
9		6	• Cylinder liner	
10	20412762	12	• O-ring	
11		6	• Piston	
12	20405577	6	• • Piston pin	
13	20405576	12	• • Snap ring	
14	21304975	6	• • Piston ring	
15	20585982	6	Connecting rod	
16	11700326	12	• Flange screw	
17	20459134	6	• Grooved pin	
18	11700325	6	• Bushing	
19	20565150	6	Bearing	Std, Only for original part 11700324
	20717211	6	Bearing	U.S=0.25mm, Only for 11700324
	20565188	6	Bearing	U.S=0.50mm, Only for 11700324
	20766790	6	Bearing	Std, Only for 20585982
	20790423	6	Big-end bearing kit	U.S=0.25mm, Only for 20585982
	20790428	6	Big-end bearing kit	U.S=0.50mm, Only for 20585982
20	20405634	1	Spring pin	18X24
21	20450843	1	Flange	
22	20405724	4	Six point screw	
23	20412598	1	Vibration damper	D=340mm
24	888713	1	Gear pulley	Pully for circulation pump & fuel pump, Pully for generator low left 28V 55A
25	888712	9	Hexagon screw	