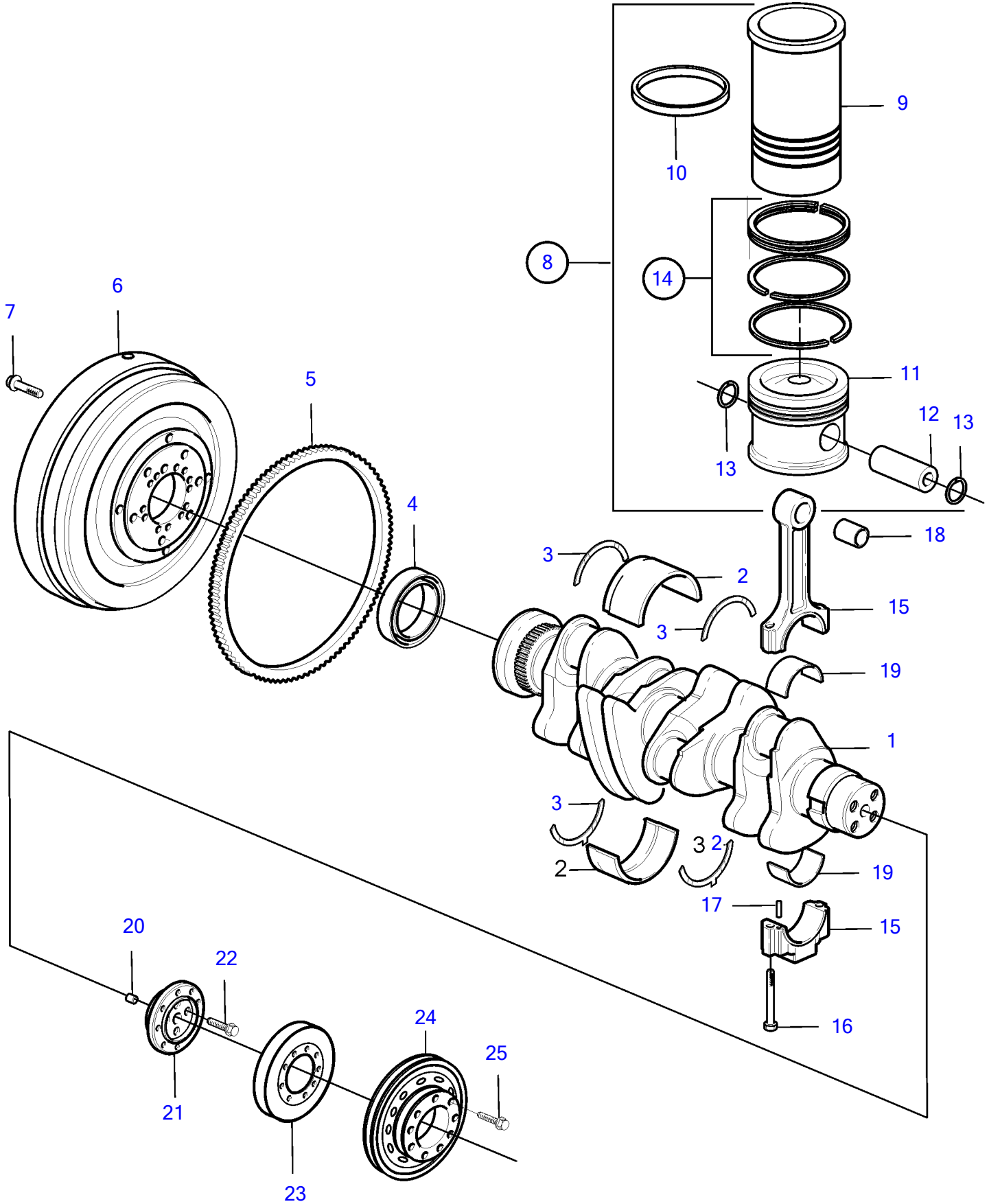


D5A-B TA, D5A-B TA



D5A-B TA, D5A-B TA

REF	PART NO.	QTY	DESCRIPTION	SEE SEC.	NOTES
1	21273414	1	Crankshaft		
2	21141948	5	Main bearing		Std
	20405529	5	Main bearing		U.S=0,25mm, SN-10594934
	21234191	5	Main bearing		U.S=0,25mm, SN10594935-
	20405541	5	Main bearing		U.S=0.50mm
3	21141955	2	Thrust washer		Std
	21141963	2	Thrust washer		O.S=0.20mm (3.1mm)
4	20412286	1	Lip seal, crankshaft seal		
5		1	Gear ring	6339	
6		1	Flywheel	6339	
7		10	Screw	6339	
8	3843536	4	Cylinder liner kit		
9		4	• Cylinder liner		
10	20412762	8	• O-ring		
11		4	• Piston kit		
12	20405577	4	• • Piston pin		
13	20405576	8	• • Snap ring		
14	20450775	4	• • Piston ring		
15	20585982	4	Connecting rod		
16	11700326	8	• Flange screw		
17	20459134	4	• Grooved pin		SN10761611-
18	11700325	4	• Bushing		
19	20766790	4	Bearing		Std, Only for 20585982
	20790423	4	Big-end bearing kit		U.S=0.25mm, Only for 20585982
	20790428	4	Big-end bearing kit		U.S=0.50mm, Only for 20585982
20	20405634	1	Spring pin		18X24
21	20450843	1	Flange		
22	20405724	4	Six point screw		
23	20460794	1	Vibration damper		D=248mm
	20412598	1	Vibration damper		D=340mm
24	888713	1	Gear pulley		Pully for circulation pump & fuel pump, Pully for generator low left 28V 55A
25	888712	9	Hexagon screw		