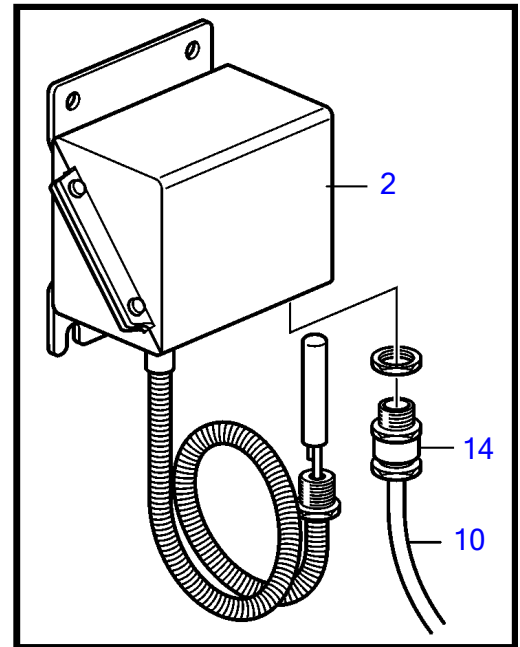
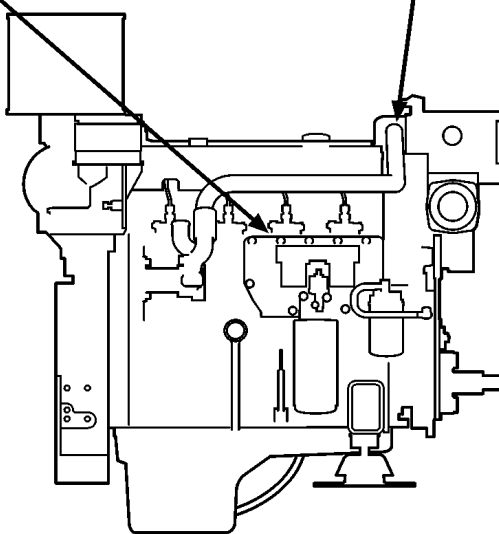
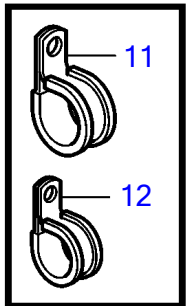
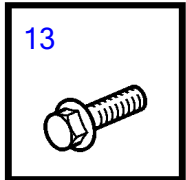
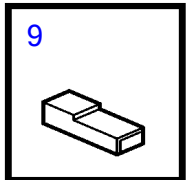
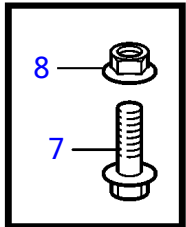
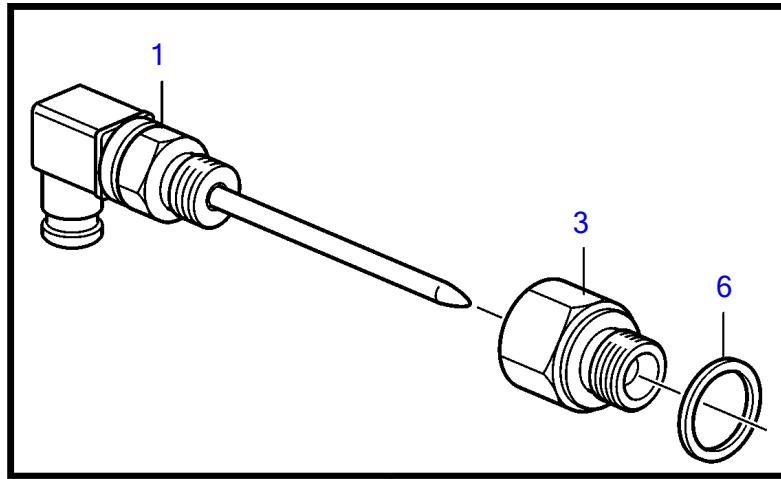
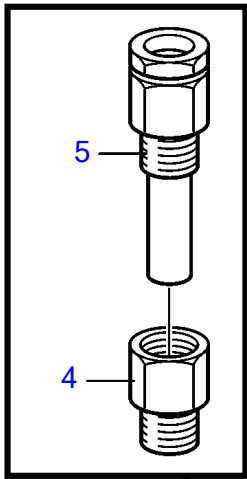


D5A-A T, D7A-A T, D5A-A TA, D7A-A TA, D5A-B TA, D5A-B TA, D5A-B TA, D7A-B TA, D7A-B TA, D7A-B TA



24100

D5A-A T, D7A-A T, D5A-A TA, D7A-A TA, D5A-B TA, D5A-B TA, D5A-B TA, D7A-B TA, D7A-B TA, D7A-B TA

REF	PART NO.	QTY	DESCRIPTION	NOTES
1	3831439	1	Temperature sensor, coolant water	
2	873714	1	Thermo monitor, coolant auto stop	Earlier production
	21294573	1	Thermo monitor	Preset value at 150°Celsius
3	3837633	2	Nipple	
4	(981426)	1	Reduction nipple	Obsolete part
5	873715	1	Sleeve	
6	190957	2	Gasket	
7	967949	4	Flange screw	
8	949278	4	Flange lock nut	
9	3829868	2	Cable terminal	
10	874854	X	Power cable	L=1000mm
11	949747	1	Clamp	D=16mm
12	942400	3	Clamp	D=8mm
13	946440	3	Flange screw	
14	822327	1	Grommet	