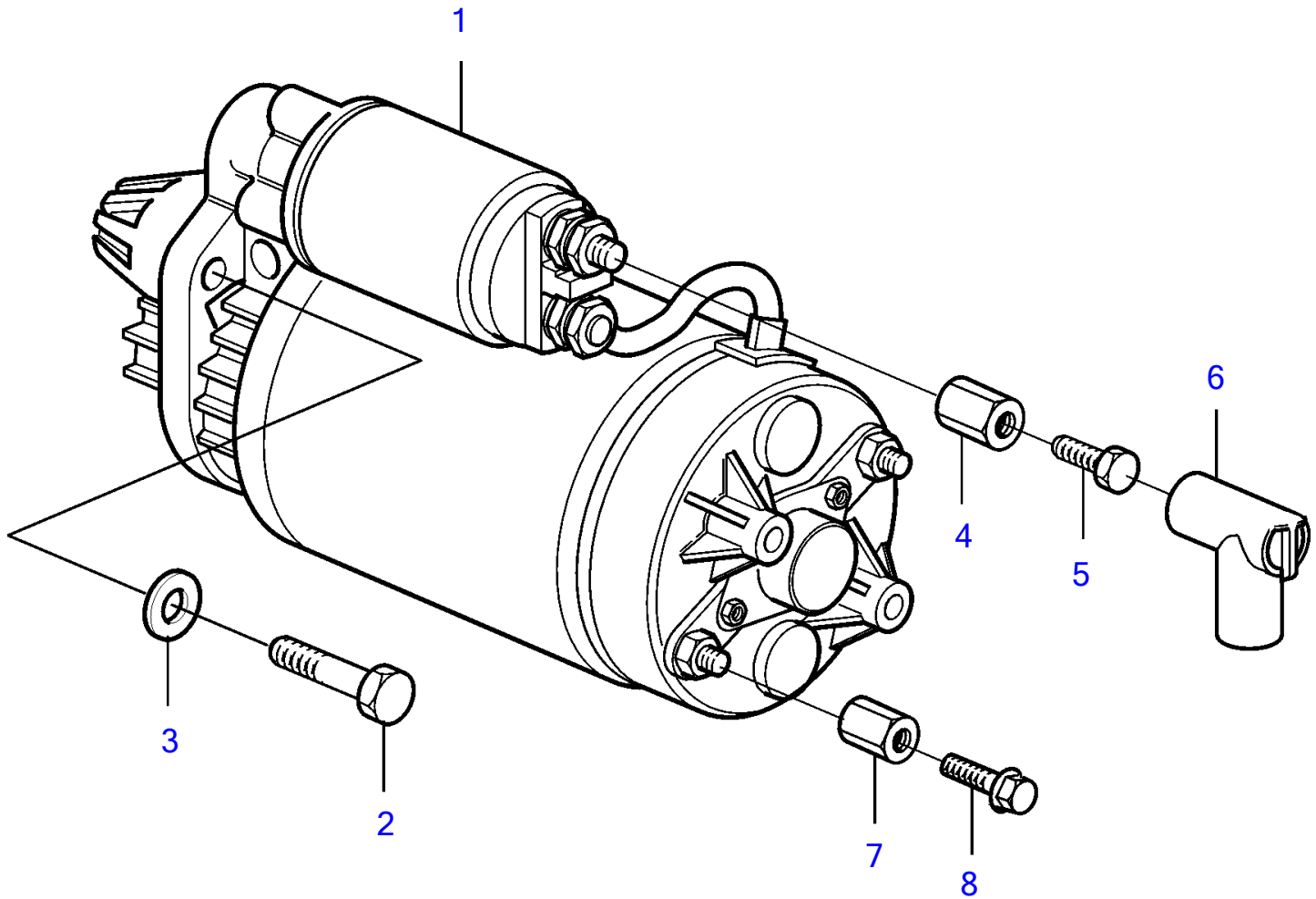


D5A-A T, D7A-A T, D5A-A TA, D7A-A TA, D5A-B TA, D5A-B TA, D5A-B TA, D7A-B TA, D7A-B TA, D7A-B TA



19844

D5A-A T, D7A-A T, D5A-A TA, D7A-A TA, D5A-B TA, D5A-B TA, D5A-B TA, D7A-B TA, D7A-B TA, D7A-B TA

REF	PART NO.	QTY	DESCRIPTION	NOTES
1	21352702	1	Starter motor	Replaced by 21852512
	21852512	1	Starter motor	
2	965185	3	Flange screw	L=38mm
3	973495	3	Washer	
4	857180	1	Nut	L=32mm
5	946471	1	Flange screw	
6	855798	1	Protecting sleeve	
7	855314	1	Nut	L=27mm
8	946440	1	Flange screw	