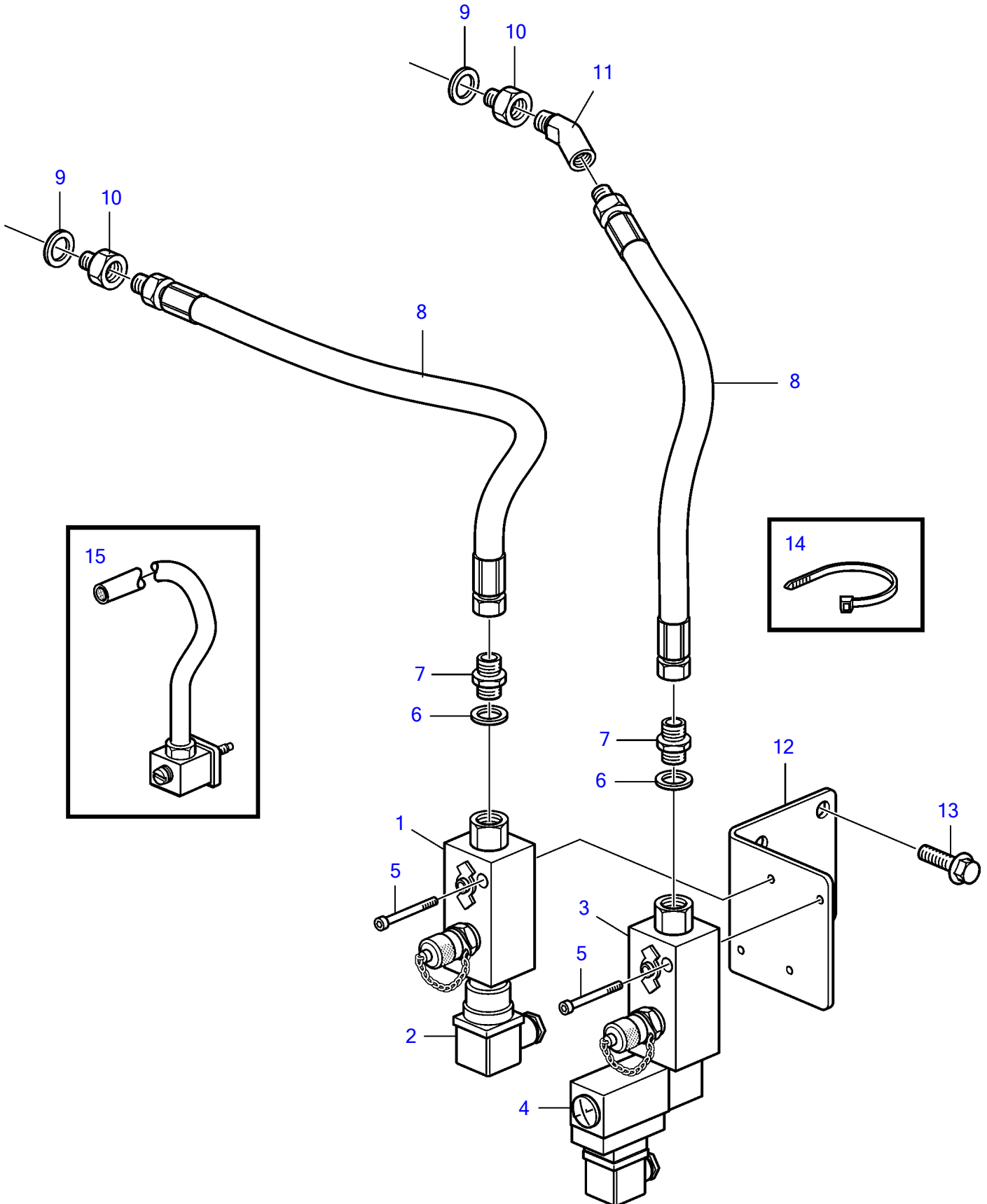


D5A-A T, D7A-A T, D5A-A TA, D7A-A TA, D5A-B TA, D5A-B TA, D5A-B TA, D7A-B TA, D7A-B TA, D7A-B TA



D5A-A T, D7A-A T, D5A-A TA, D7A-A TA, D5A-B TA, D5A-B TA, D5A-B TA, D7A-B TA, D7A-B TA, D7A-B TA

REF	PART NO.	QTY	DESCRIPTION	NOTES
1	874800	1	Block	
2	874506	1	Sensor	
3	3831442	1	Block	
4	881871	1	Pressure monitor	
5	947671	4	Hex. socket screw	
6	969011	2	Gasket	
7	957030	2	Nipple	
8	3835281	2	Oil hose	
9	969011	2	Gasket	
10	813615	2	Reduction nipple	
11	809109	1	Elbow nipple	
12	3587735	1	Bracket	
13	946173	2	Flange screw	
14	948211	5	Cable tie	
15	3588563	1	Wiring harness	Extension cable for sensors, shut down., L=2,0m