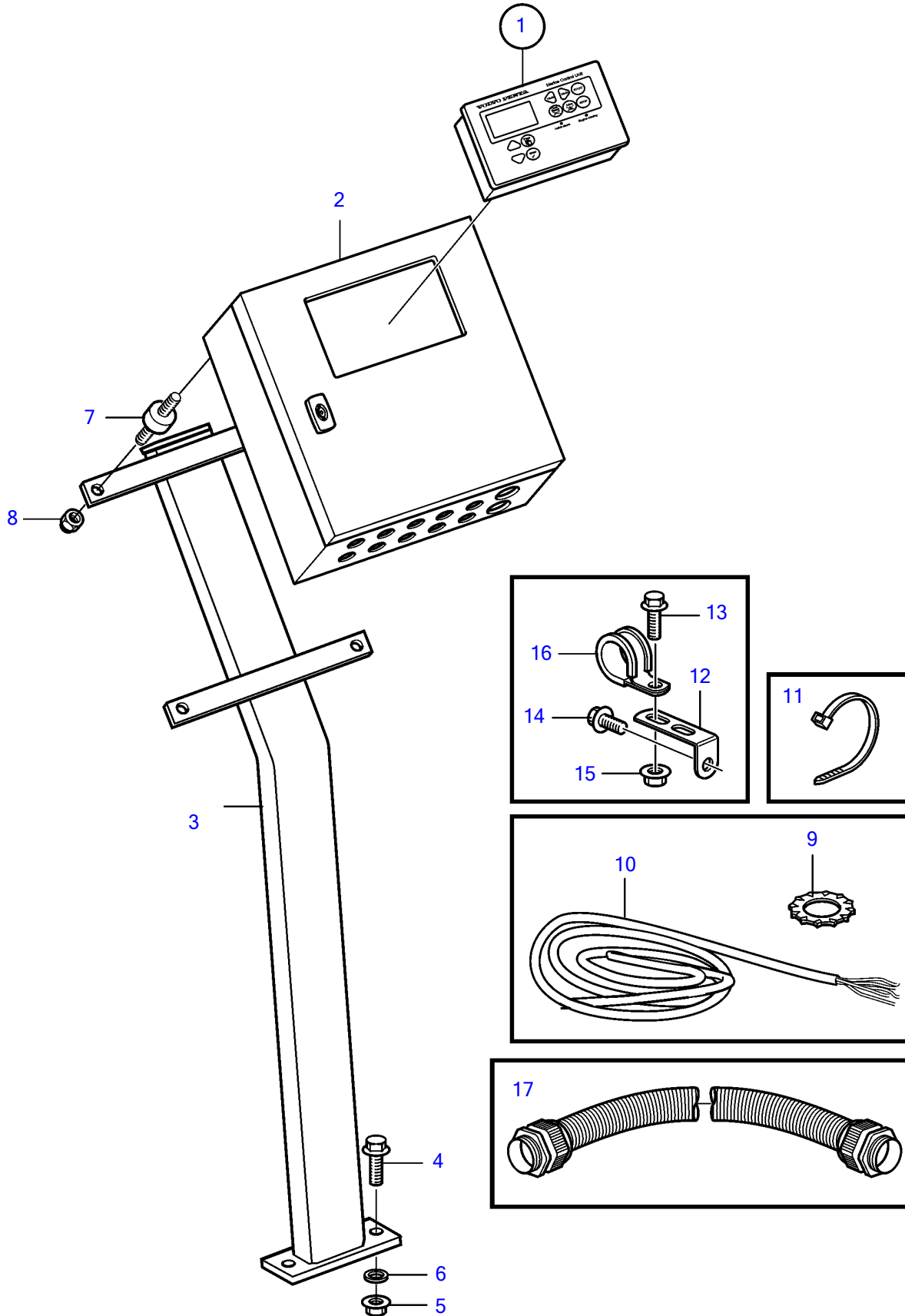


D5A-A T, D7A-A T, D5A-A TA, D7A-A TA, D5A-B TA, D5A-B TA, D7A-B TA, D7A-B TA



D5A-A T, D7A-A T, D5A-A TA, D7A-A TA, D5A-B TA, D5A-B TA, D7A-B TA, D7A-B TA

REF	PART NO.	QTY	DESCRIPTION	SEE SEC.	NOTES
1		1	Electronic unit	21390	
2		1	Box	21390	
3	3883702	1	Bracket		
4	965193	2	Flange screw		
5	971096	2	Flange nut		
6	(18675)	2	U-member washer		Obsolete part
7	863415	4	Rubber cushion		
8	945408	4	Flange nut		
9	942767	1	Toothed washer		
10	970624	X	Electric cable		L=300mm
11	948211	10	Cable tie		Left hand
12	965557	5	Bracket		Earlier production version.
13	946173	15	Flange screw		
14	945408	5	Flange nut		
15	946440	4	Flange screw		Left hand
	946440	8	Flange screw		Right hand
16	947827	15	Clamp		Left hand
	947827	15	Clamp		Right hand
17	3818484	1	Wiring harness		