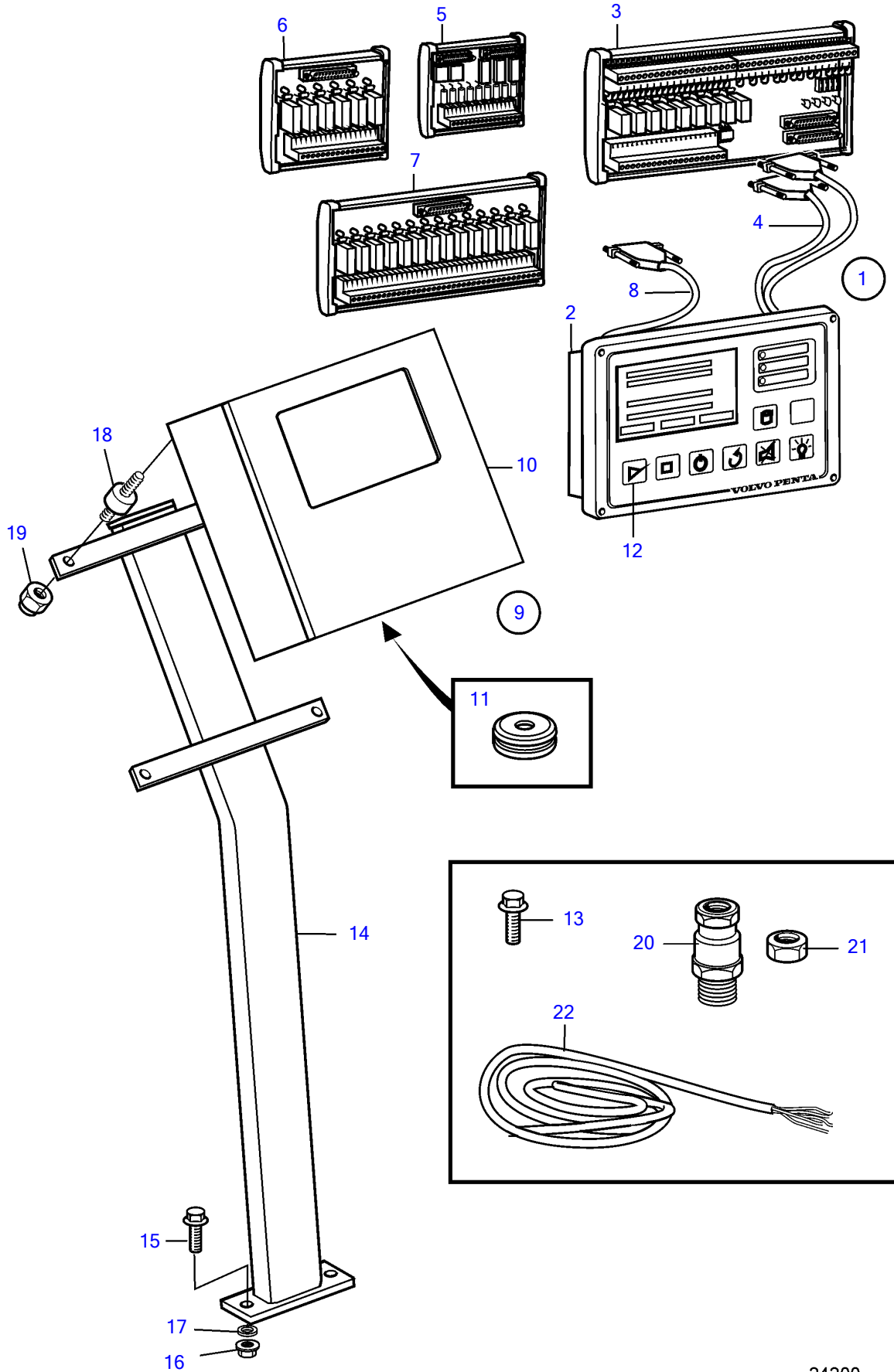


D5A-A T, D7A-A T, D5A-A TA, D7A-A TA, D5A-B TA, D5A-B TA, D7A-B TA, D7A-B TA



D5A-A T, D7A-A T, D5A-A TA, D7A-A TA, D5A-B TA, D5A-B TA, D7A-B TA, D7A-B TA

REF	PART NO.	QTY	DESCRIPTION	NOTES
1	3812590	1	Control unit, control unit	
2	3887415	1	Electronic unit	
3	3887416	1	• Terminal, RK-66	
4	(3887417)	2	• Wiring harness	Obsolete part
5	874243	1	Relay	AK-6
6	874165	1	Relay	MK-6
7	874164	1	Relay	MK-14
8	874166	1	Wiring harness	15-pin D-SUB
9	(3830520)		Box	Obsolete part
10	(3830520)	1	• Box	Obsolete part
11	941268	3	• Plug	
12	662620	1	• Rubber button	
13	968476	4	Flange screw	
14	(3828433)	1	Bracket	Obsolete part
15	965193	2	Flange screw	
16	971099	2	Flange lock nut	
17	(18675)	2	U-member washer	Obsolete part
18	863415	4	Rubber cushion	
19	948645	4	Flange lock nut	
20	881193	2	Grommet	
21	880755	2	Nut	
22	874871	X	Power cable	L=3000mm