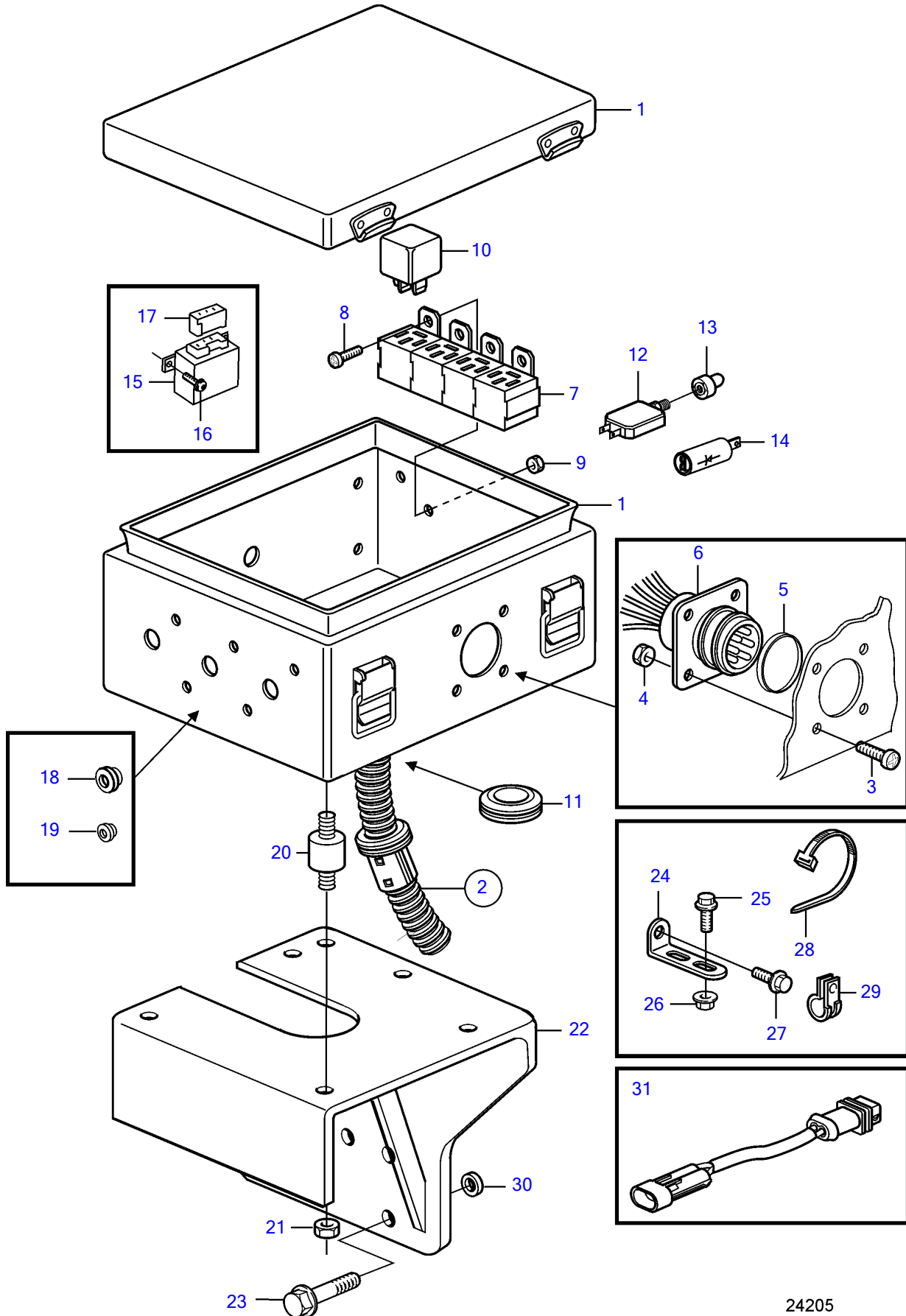


D5A-A T, D5A-A TA, D5A-B TA, D5A-B TA, D5A-B TA



D5A-A T, D5A-A TA, D5A-B TA, D5A-B TA, D5A-B TA

REF	PART NO.	QTY	DESCRIPTION	NOTES
1	873953	1	Box	
2	881594	1	Wiring harness	SN-11184143
	21914530	1	Wiring harness	SN11184144-
3	956046	4	• Cross recessed screw	
4	955778	4	• Hexagon nut	
5	846615	1	• Sealing ring	
6	846611	1	• Housing, instrument panel	
7	977184	1	• Housing	
8	969405	2	• 6 point socket screw	
9	963104	2	• Lock nut	
10	3171420	4	Relay	
11	943920	1	Plug	
12	966689	1	Fuse	
13	862006	1	Protective cap	
14		2	Diode	
15	873140	1	Overspeed protection	
16	946440	2	Flange screw	
17	944076	1	Housing	
18	974683	3	Plug	
19	974680	6	Plug	
20	1228599	4	Cushion	
21	945407	4	Flange nut	
22	3884205	1	Bracket	
23	20405792	3	Screw	
24	965556	1	Bracket	
25	946440	1	Flange screw	
26	945408	1	Flange nut	
27		1	Flange screw	
28	983472	X	Cable tie	
	948211	X	Cable tie	
29	942400	X	Clamp	D=7,9mm
	949746	X	Clamp	D=12,7mm
	949747	X	Clamp	D=15,9mm
	945081	X	Clamp	D=22,2mm
	947827	X	Clamp	D=25,4mm
30	807183	2	Spacer sleeve	With GAC governor.
31	3593998	1	Cable adapter	