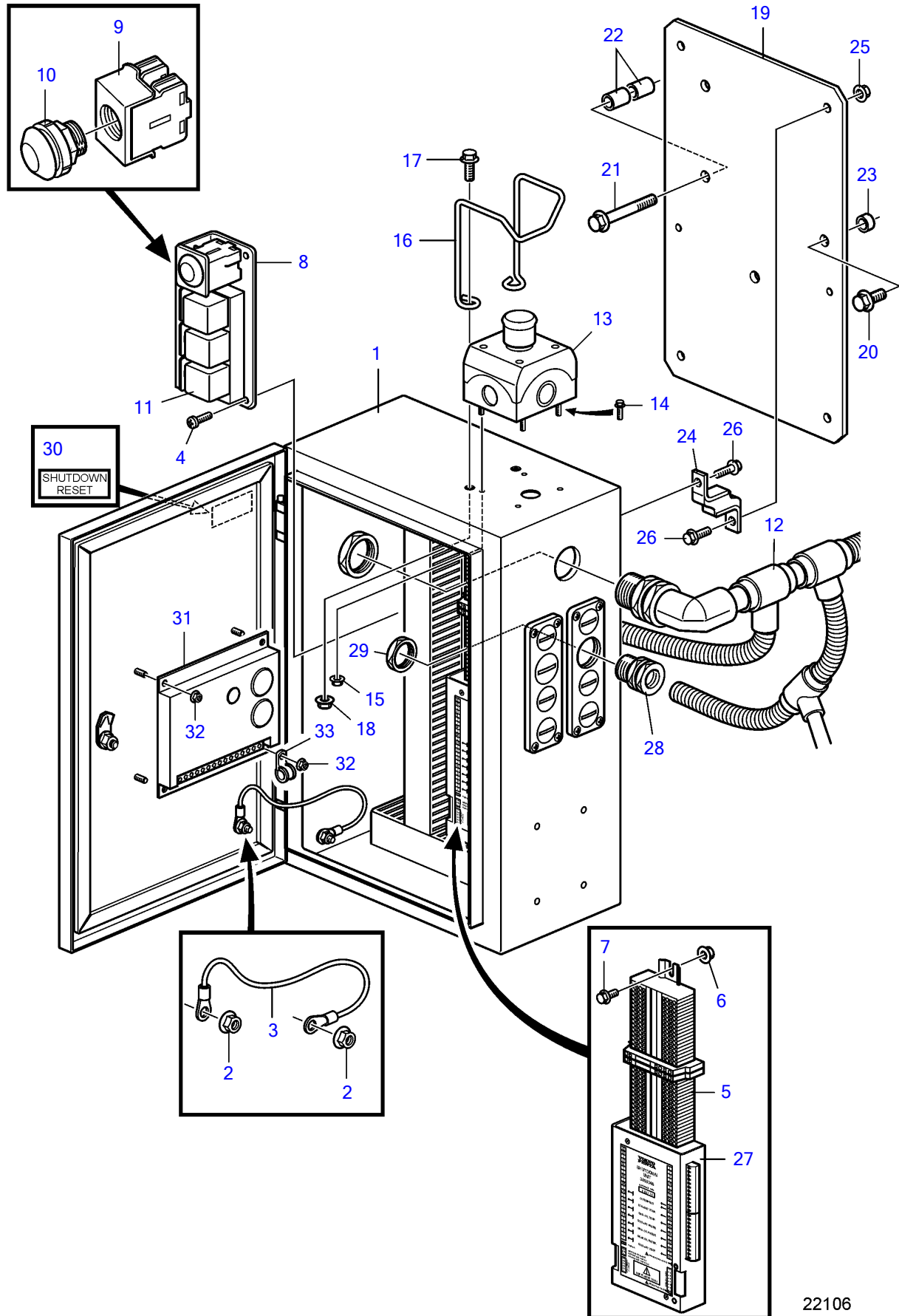


D5A-A T, D7A-A T, D5A-A TA, D7A-A TA, D5A-B TA, D5A-B TA, D7A-B TA, D7A-B TA



22106

D5A-A T, D7A-A T, D5A-A TA, D7A-A TA, D5A-B TA, D5A-B TA, D7A-B TA, D7A-B TA

REF	PART NO.	QTY	DESCRIPTION	SEE SEC.	NOTES
1	3589427	1	Electrical distribut		
2	945408	2	• Flange nut		
3		1	• Ground cable		
4	969405	2	6 point socket screw		
5	3842776	1	Terminal block		
6	949874	2	Flange lock nut		
7	(956075)	2	Cross recessed screw		Obsolete part
8	3812360	1	Bracket		
9	3817574	1	Contact unit		
10	3817578	1	Push button		
11	(3885261)	1	Relay kit		Obsolete part
12	3588833	1	Wiring harness		
13	3589458	1	Emergency stop		
14	956063	4	Cross recessed screw		
15	955779	4	Hexagon nut		
16	3838198	1	Protecting brace		
17	946440	2	Flange screw		
18	945408	2	Flange nut		
19	3887615	1	Bracket		(3589461)
20	946173	1	Flange screw		
21	965182	3	Flange screw		
22	845342	6	Spacer sleeve		
23	807183	1	Spacer sleeve		
24	845513	5	Vibration damper		
25	945408	5	Flange nut		
26	946440	10	Flange screw		
27	3819845	1	Electronic unit		
			• Bulletin P-28-4-4	P-28-4-4-EN	Software Handling Procedures
28	881193	1	Grommet		
	(3586045)	1	Cable union		Obsolete part
29	(3586046)	1	Lock nut		Obsolete part
30	3586456	1	Label		
31	881616	1	Control unit		
32	945407	4	Flange nut		
33	949746	1	Clamp		