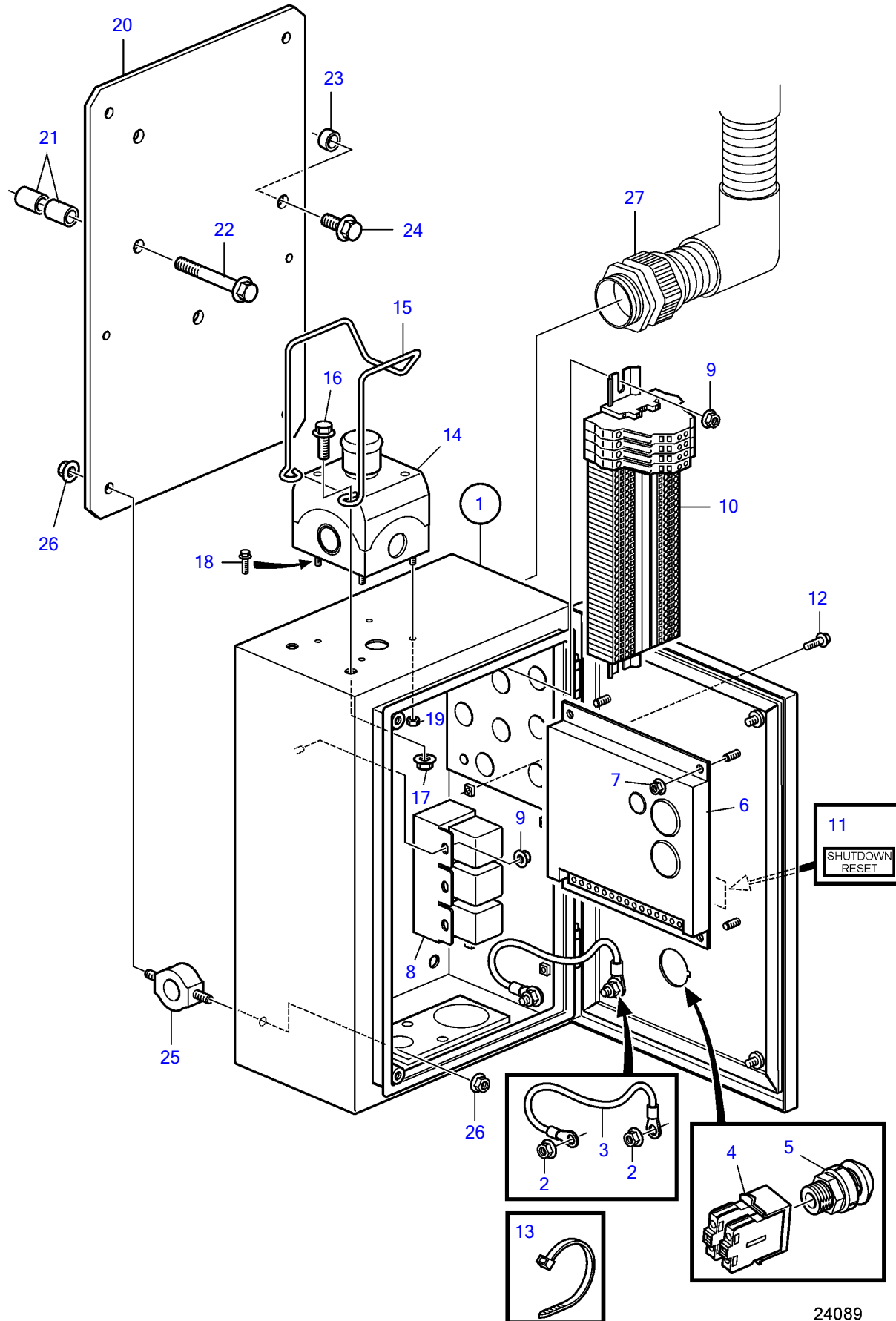


D5A-A T, D7A-A T, D5A-A TA, D7A-A TA, D5A-B TA, D5A-B TA, D7A-B TA, D7A-B TA



24089

24089

7745950-30-22241

Upd:2012-02-23

D5A-A T, D7A-A T, D5A-A TA, D7A-A TA, D5A-B TA, D5A-B TA, D7A-B TA, D7A-B TA

REF	PART NO.	QTY	DESCRIPTION	SEE SEC.	NOTES
1	3841323	1	Electrical distribut		
2	945408	2	• Flange nut		
3		1	• Ground cable		
4	3817575	1	Contact unit		
5	3817578	1	Push button		
6	881616	1	Control unit		
7	945407	4	Flange nut		
8	(3885261)	1	Relay kit		Obsolete part
9	965483	4	Flange nut		
10	3842776	1	Terminal block		
11	3586456	1	Label		
12	967949	4	Flange screw		
13	948211	9	Cable tie		
14	3589458	1	Emergency stop		
15	3838198	1	Protecting brace		
16	946440	2	Flange screw		
17	945408	2	Flange nut		
18	956063	4	Cross recessed screw		M4x16
19	955779	4	Hexagon nut		
20	3887615	1	Bracket		
21	845342	6	Spacer sleeve		
22	965182	3	Flange screw		
23	807183	1	Spacer sleeve		
24	946173	1	Flange screw		
25	3839156	4	Rubber cushion		
26	945407	8	Flange nut		
27		1	Cable harness, (D5)	22242	
		1	Cable harness, (D7)	22243	